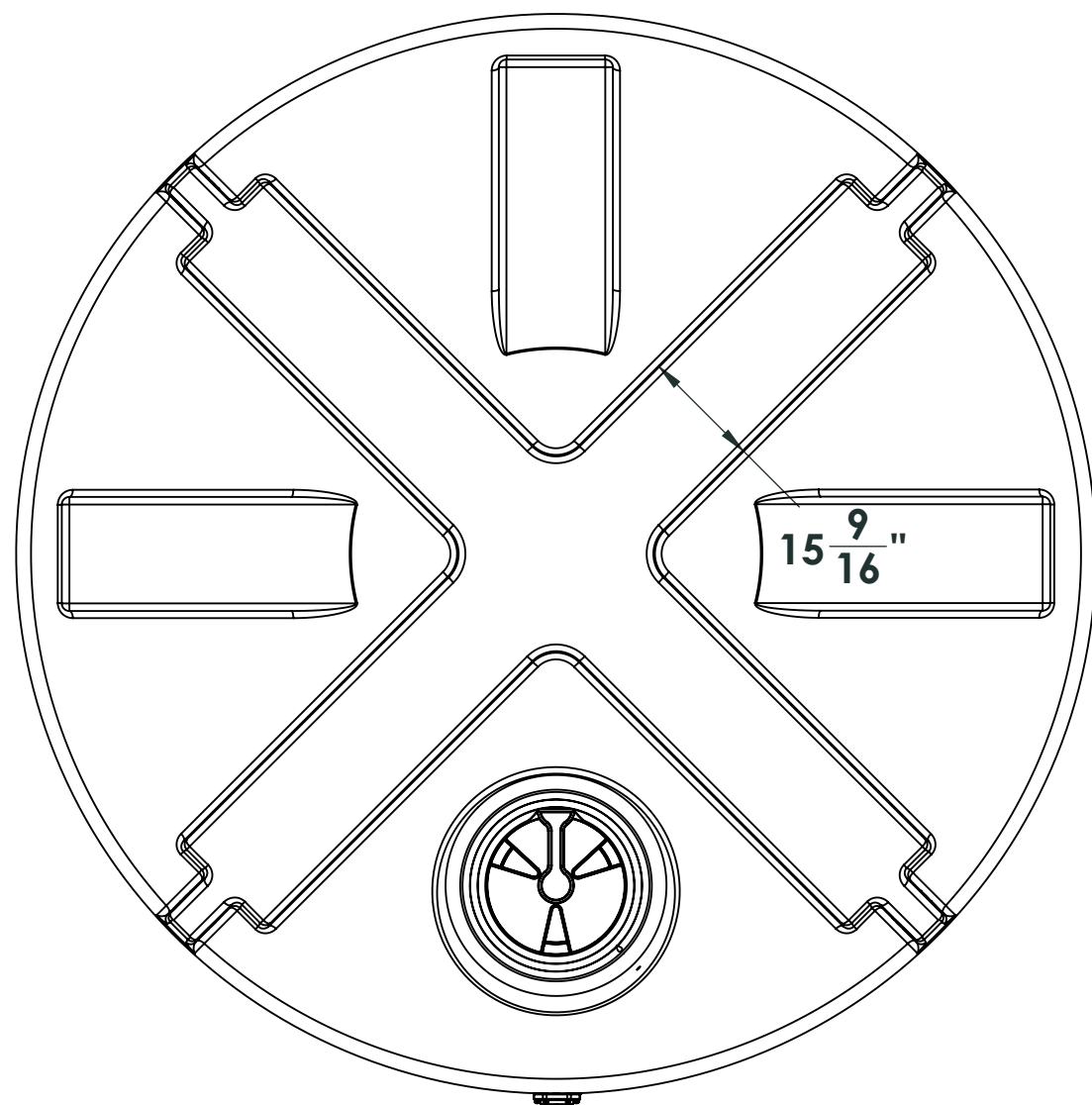


4

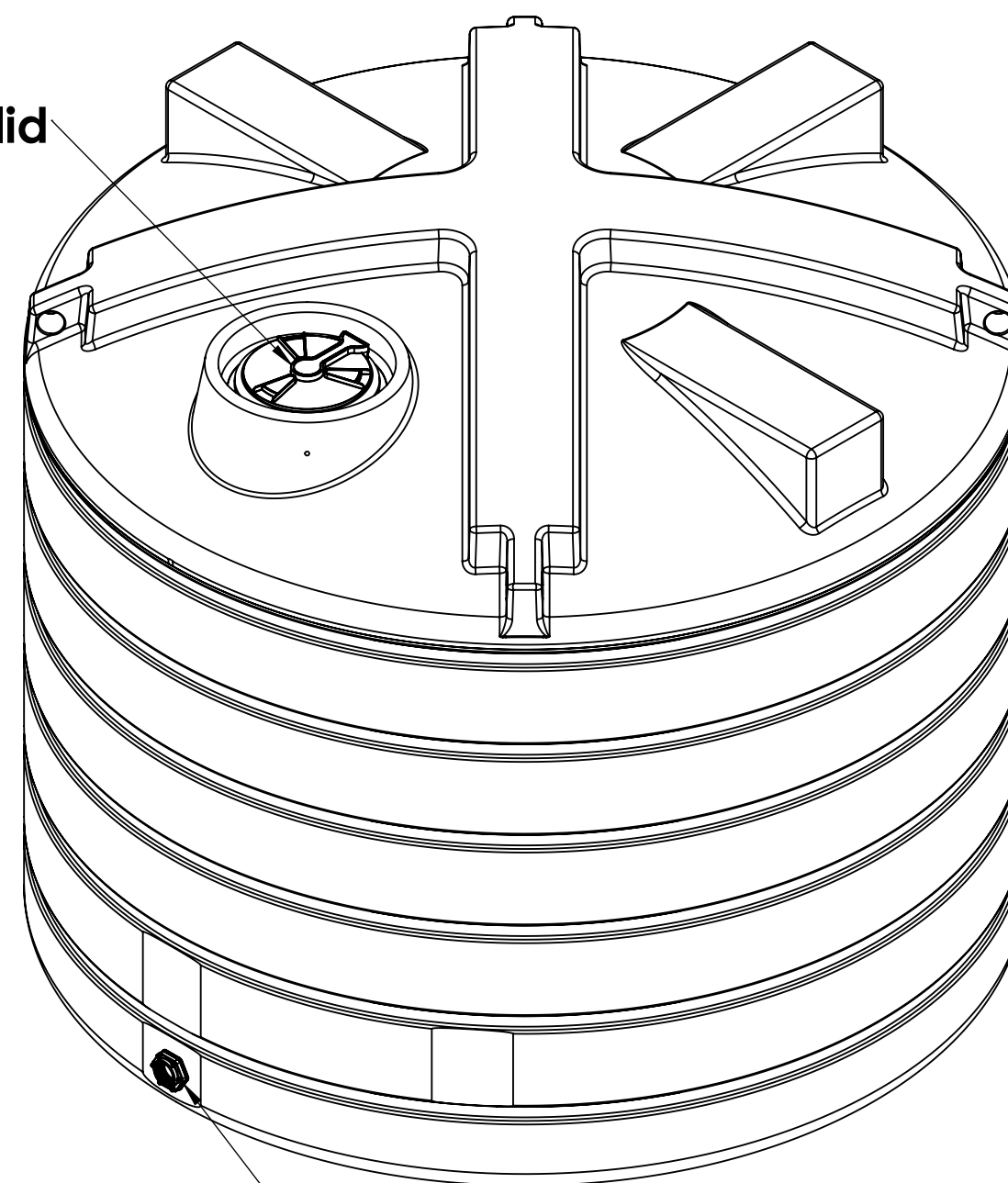
3

2

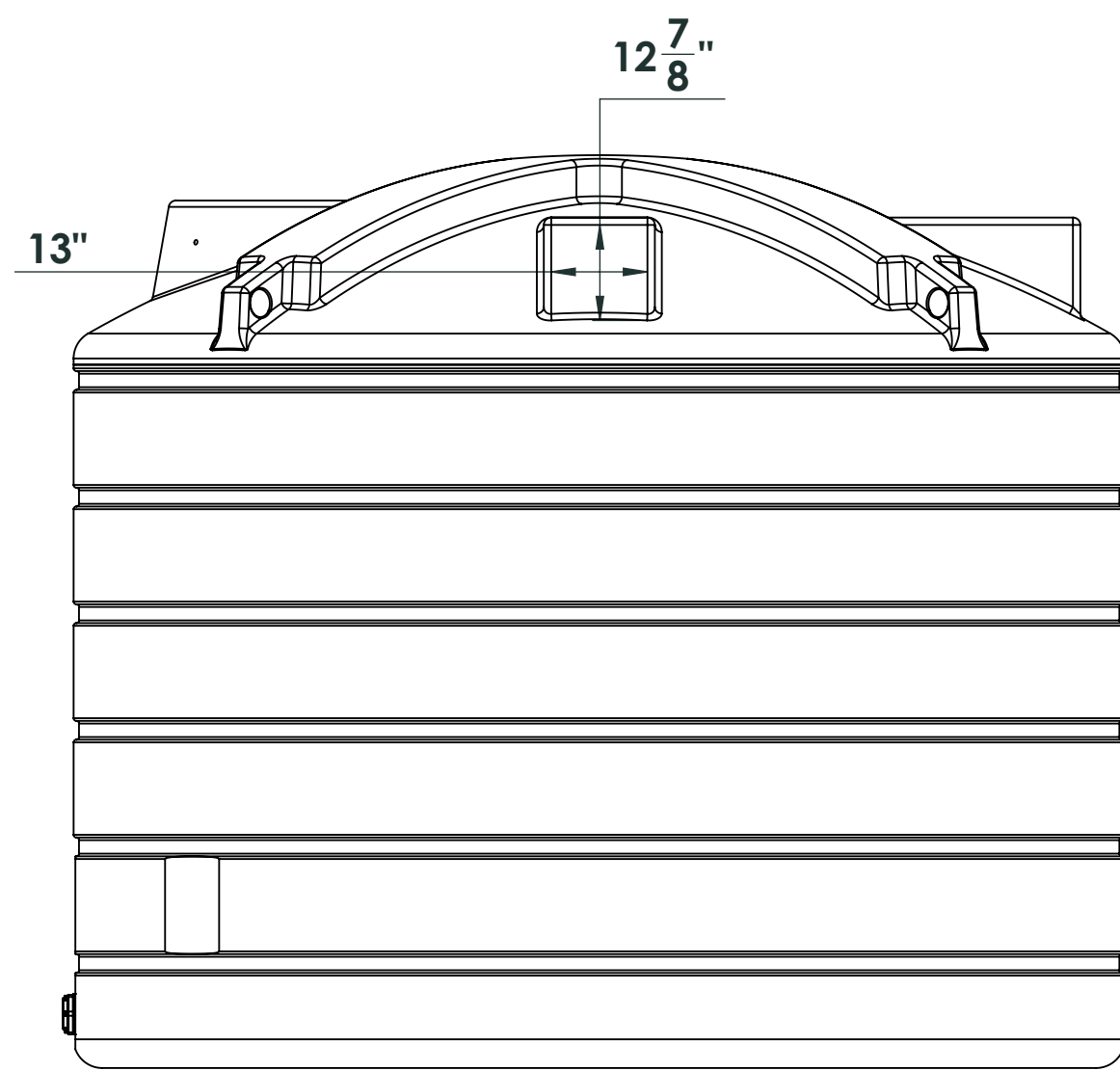
1



16 inch lid

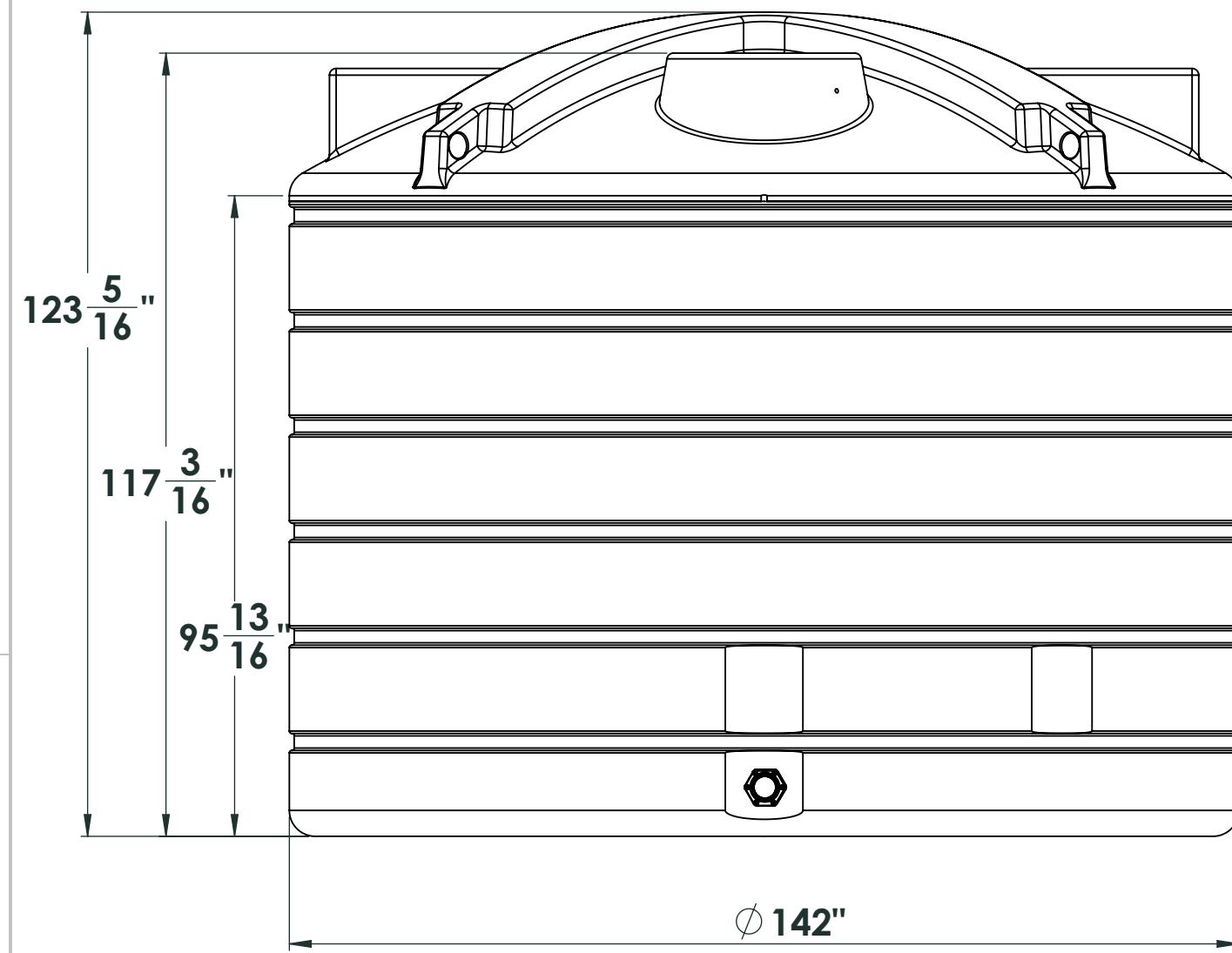


3 inch bolted fitting



13"

12 7/8"



Ø 142"

NOTE: Allow +/- 1.5% Shrinkage

PROPRIETARY AND CONFIDENTIAL
 THE INFORMATION CONTAINED IN THIS DRAWING IS THE SOLE PROPERTY OF ENDURAPLAS LLC. ANY REPRODUCTION IN PART OR AS A WHOLE WITHOUT THE WRITTEN PERMISSION OF ENDURAPLAS LLC IS PROHIBITED.

| | | | | | |
|--------------------------------------|----------|-----------|----------------------|----------------|----------------------------------|
| UNLESS OTHERWISE SPECIFIED: | | NAME | DATE | ENDURAPLAS LLC | |
| DIMENSIONS ARE IN INCHES | | DRAWN | DNS | 11/1/16 | TITLE: |
| TOLERANCES: | | CHECKED | | | THV07011 |
| FRACTIONAL ± | | ENG APPR. | | | SIZE DWG. NO. |
| ANGULAR: MACH ± BEND ± | | MFG APPR. | | | REV |
| TWO PLACE DECIMAL ± | | Q.A. | | | 1 |
| THREE PLACE DECIMAL ± | | COMMENTS: | | | SCALE: 1:50 WEIGHT: SHEET 1 OF 1 |
| INTERPRET GEOMETRIC TOLERANCING PER: | MATERIAL | FINISH | DO NOT SCALE DRAWING | | |
| NEXT ASSY | USED ON | | | | |
| APPLICATION | | | | | |