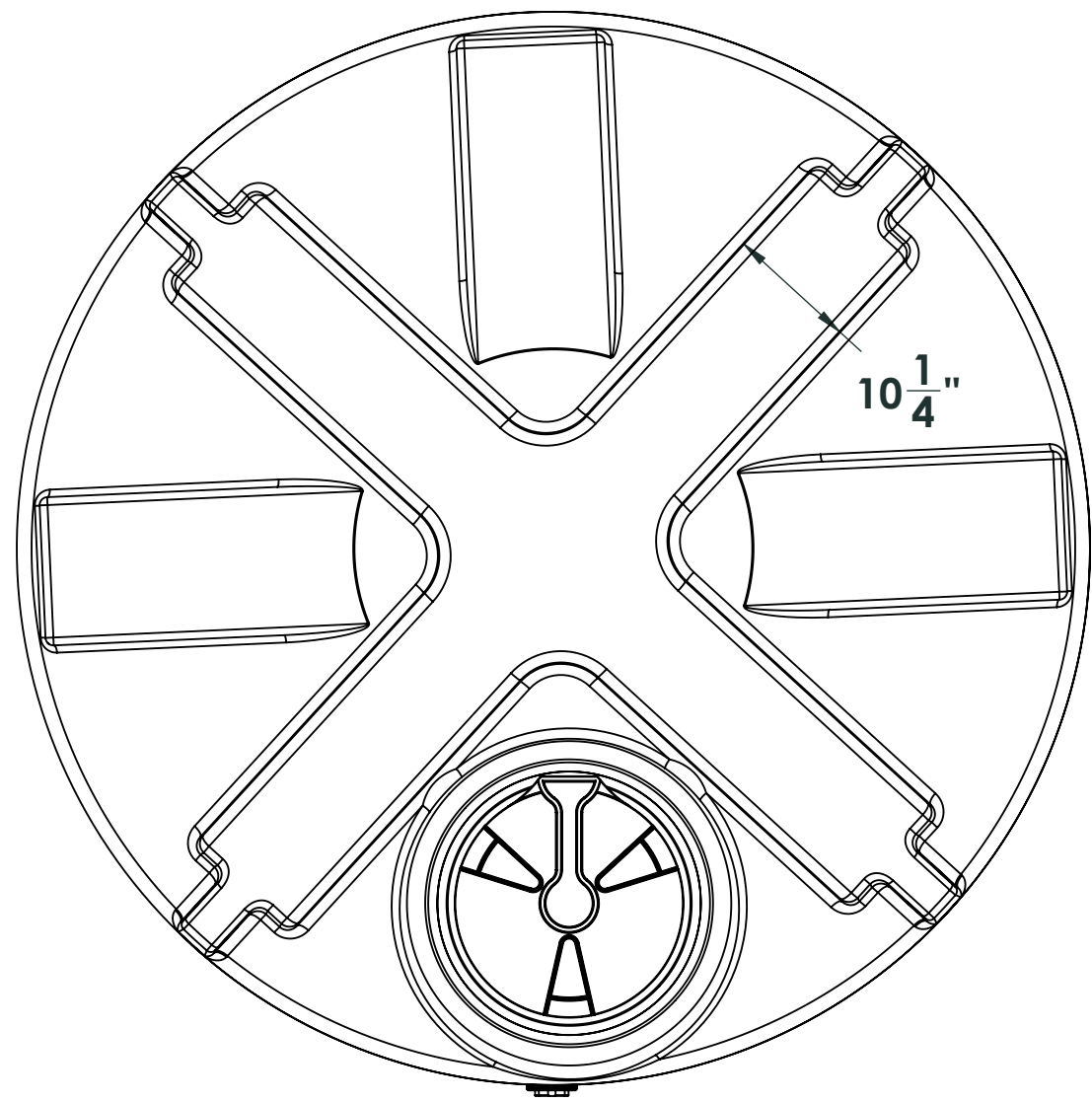


4

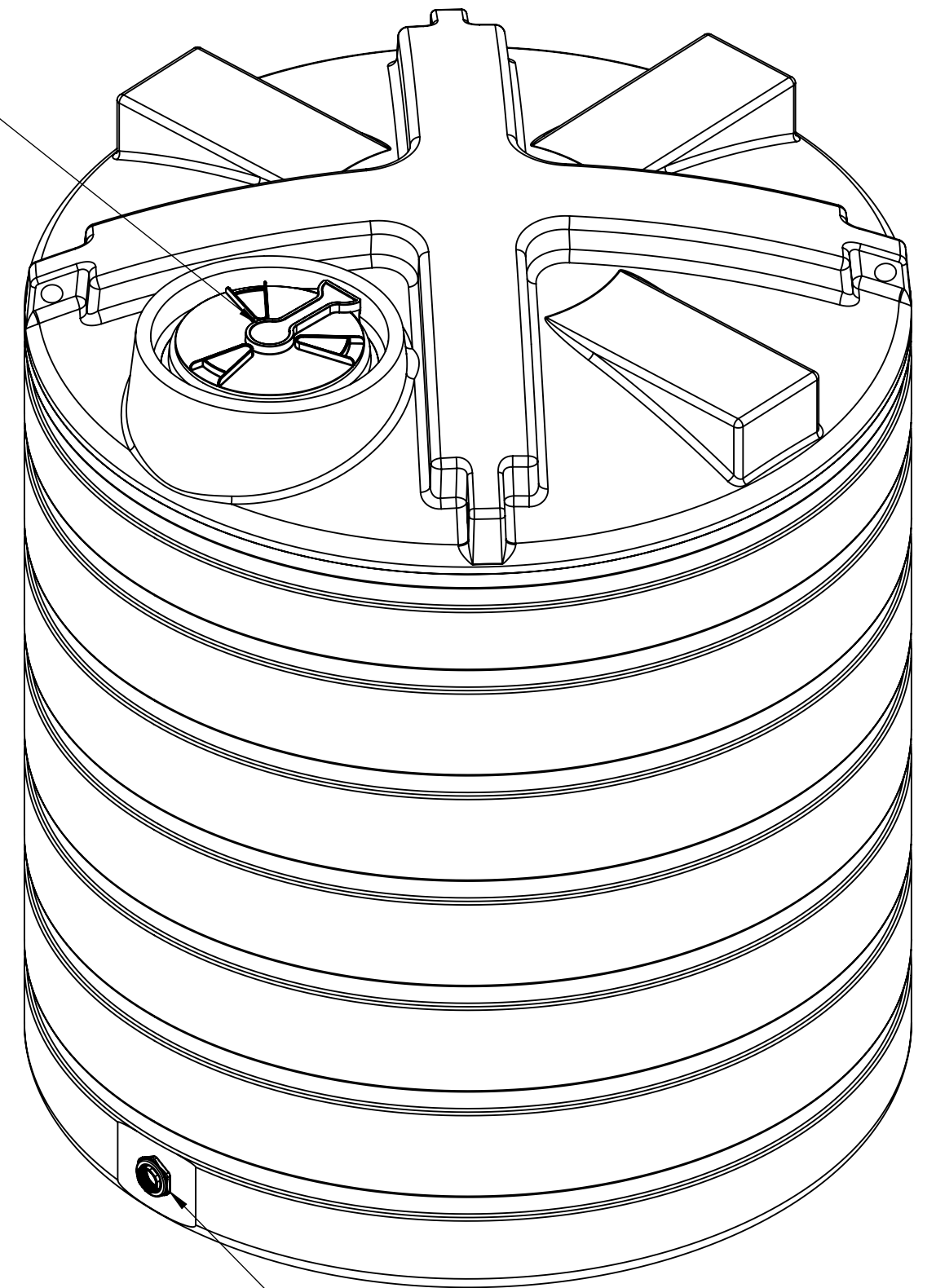
3

2

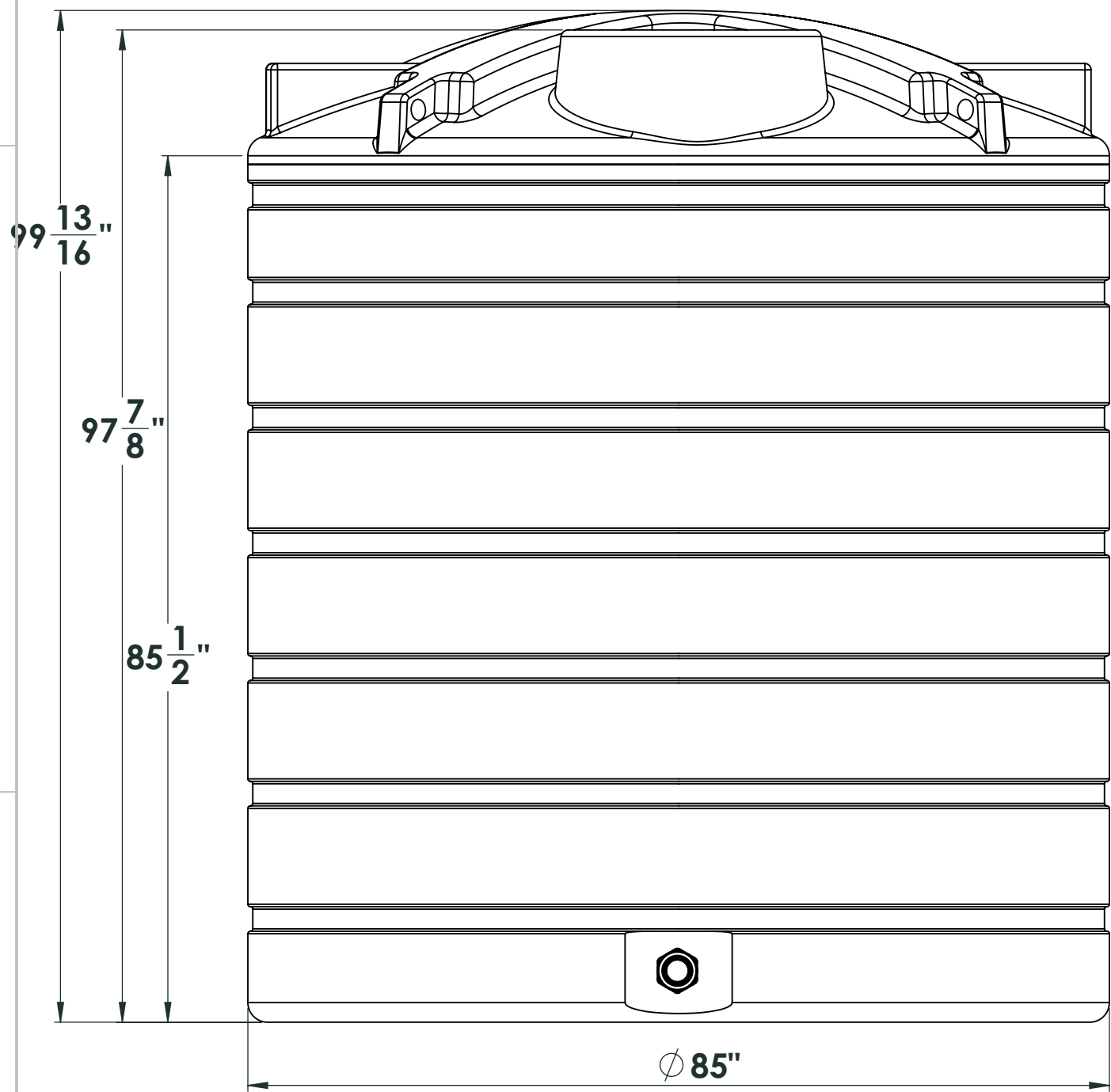
1



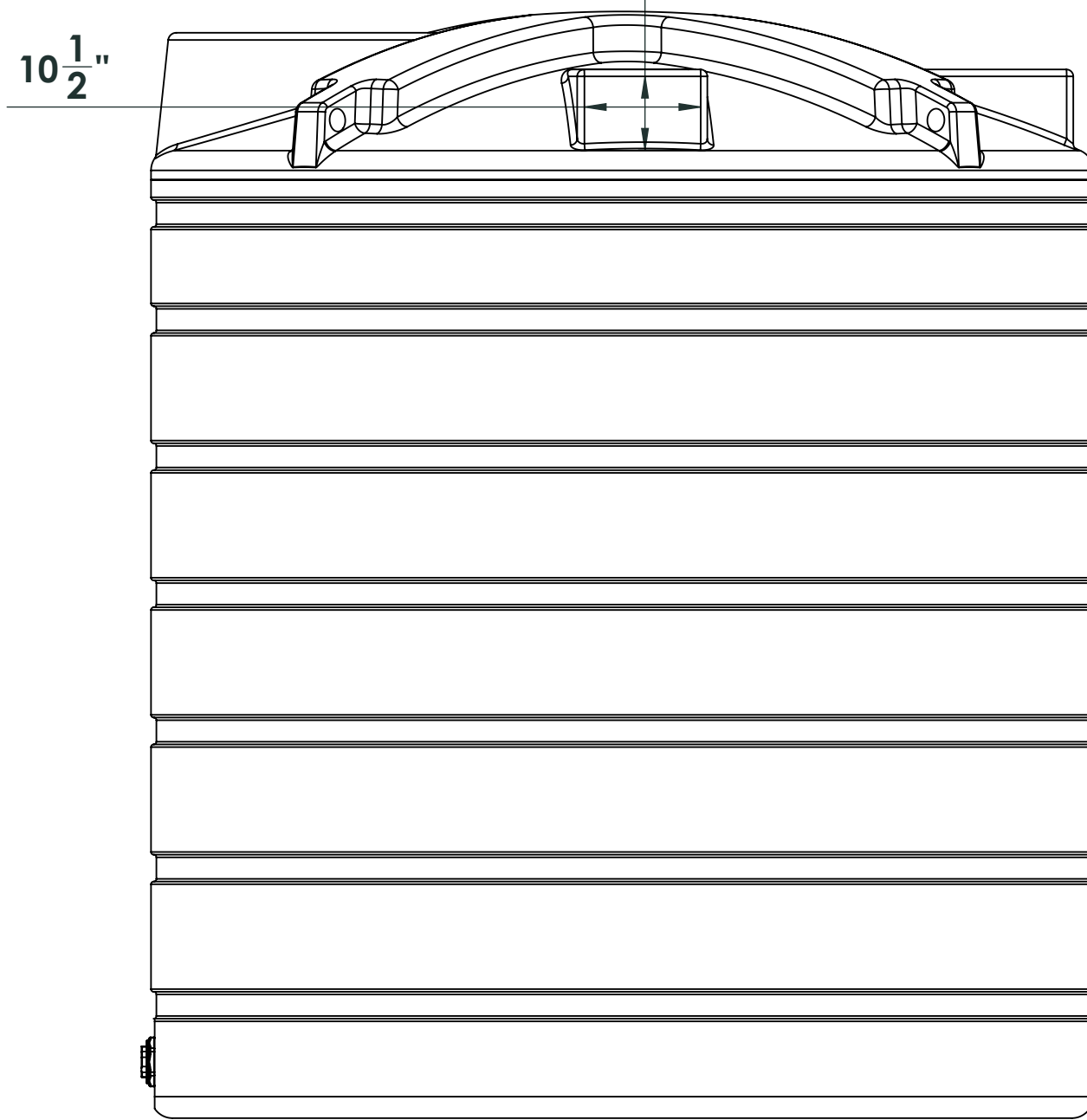
16 inch lid



2 inch threaded fitting



10 1/2"



6 5/8"

NOTE: Allow +/- 1.5% Shrinkage

PROPRIETARY AND CONFIDENTIAL
 THE INFORMATION CONTAINED IN THIS DRAWING IS THE SOLE PROPERTY OF ENDURAPLAS LLC. ANY REPRODUCTION IN PART OR AS A WHOLE WITHOUT THE WRITTEN PERMISSION OF ENDURAPLAS LLC IS PROHIBITED.

UNLESS OTHERWISE SPECIFIED:		NAME	DATE	ENDURAPLAS LLC	
DIMENSIONS ARE IN INCHES		DRAWN	DNS	11/1/16	TITLE:
TOLERANCES:		CHECKED			THV02100
FRACTIONAL ±		ENG APPR.			
ANGULAR: MACH ± BEND ±		MFG APPR.			
TWO PLACE DECIMAL ±		Q.A.			SIZE DWG. NO.
THREE PLACE DECIMAL ±		COMMENTS:			REV
INTERPRET GEOMETRIC TOLERANCING PER:	MATERIAL				1
FINISH	DO NOT SCALE DRAWING				SCALE: 1:50 WEIGHT:
NEXT ASSY	USED ON				SHEET 1 OF 1
APPLICATION					

4

3

2

1