

(

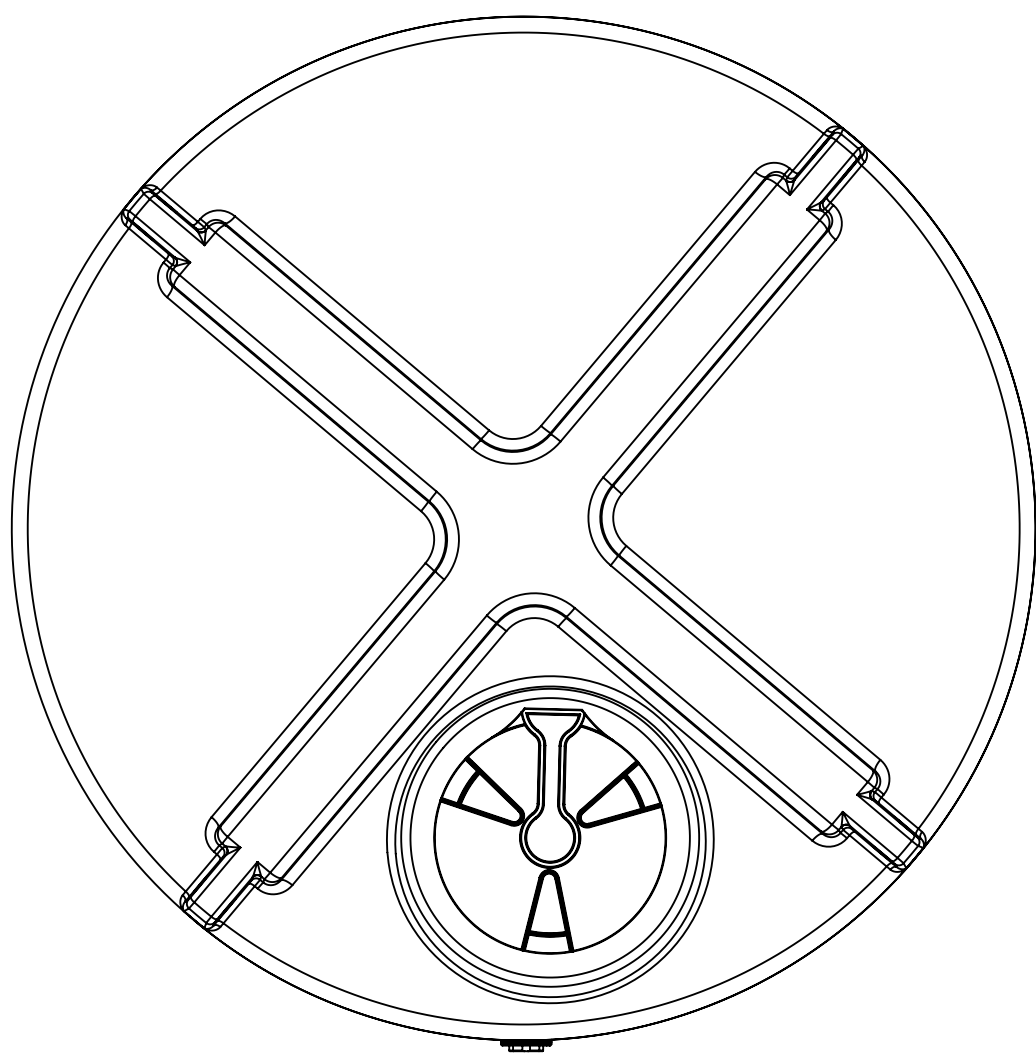
'

&

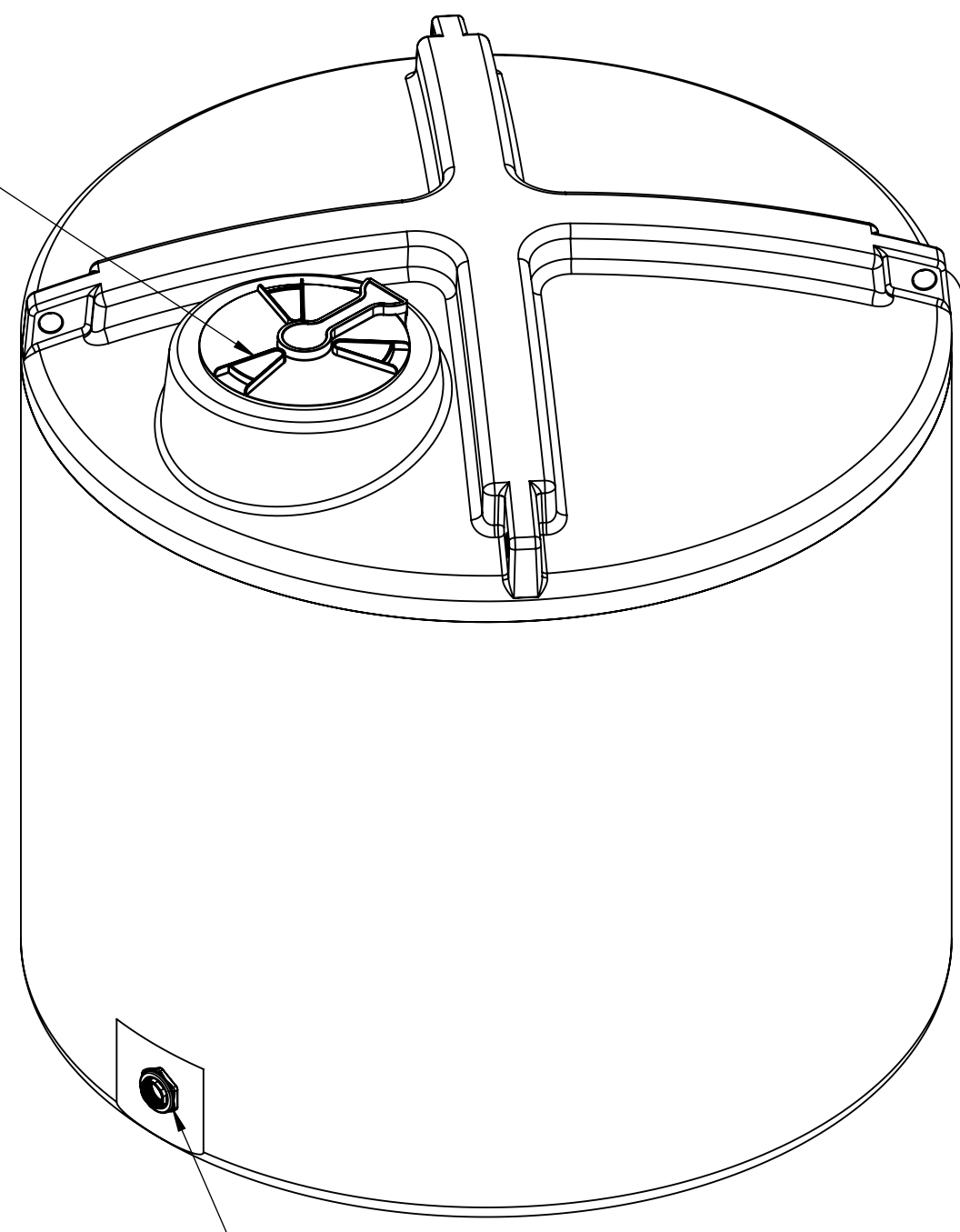
%

8

8



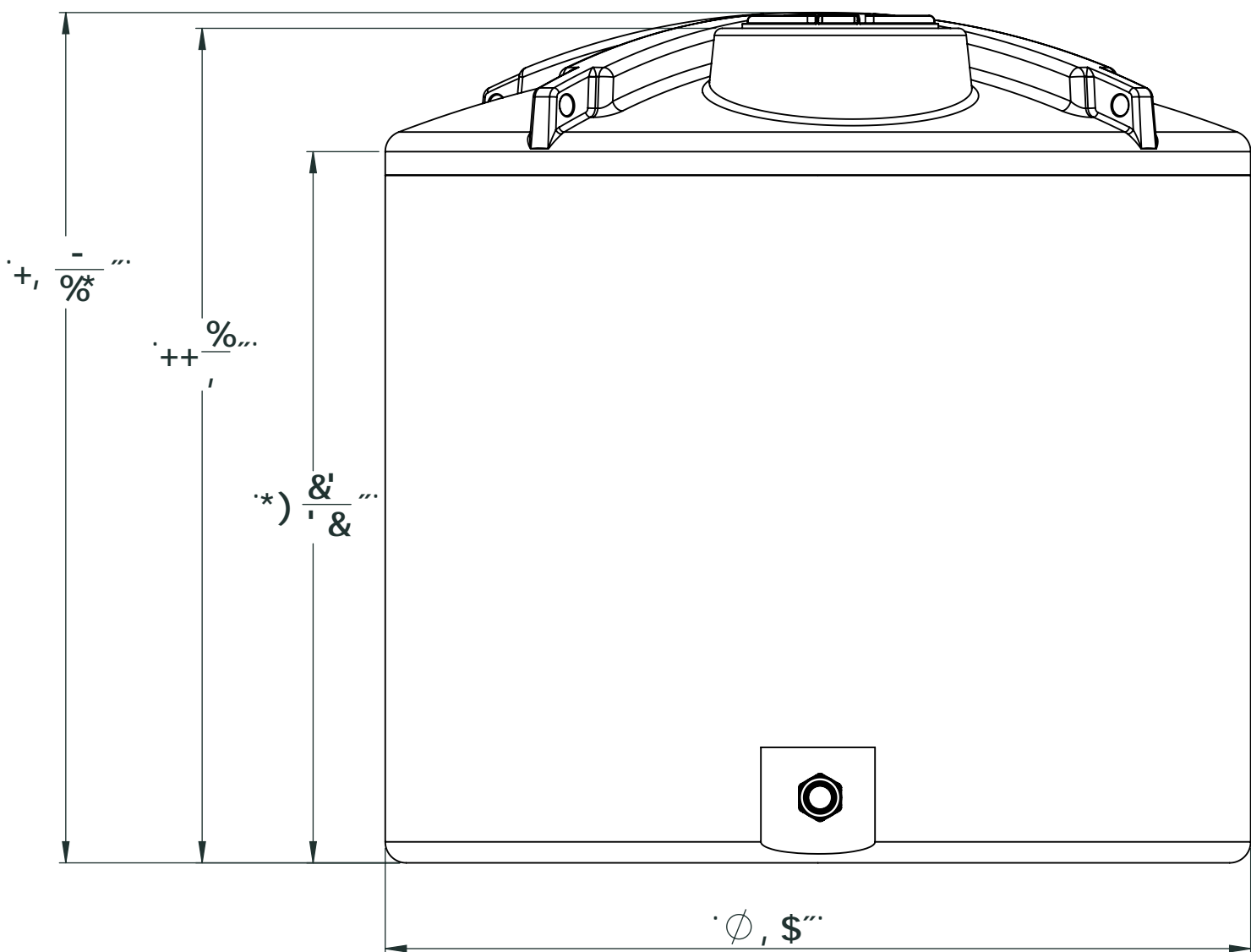
%]bVX `]X



&]bVX 'h fyUXYX 'Z]h[

7

7



+, %

++ %

*) & ' &

∅, \$

6

6

BCI9. 5`ck Ž# %) i 'G\fb_U[Y

5

5

DFC DF-45FM5B8 7CB: 69B15@
 H-9: C: FA 5HC B 7C B15 B98 B 1H: G
 B F5K B: 6H-9GC @DFC D9FMC:
 9B1 F5D5G@7 5BME9FC 81 7HC B
 B 55FHC7 5G5 K <C @9K 4K 11H9
 K F 4H8 D9FA 43C B C: 9B1 F5D5G@7
 6DFC <4H8*

		1 B@93C H:9K 49 CD97 + 9B.	B5A 9	85H9	9B8I F5D5G@7
		8A 9BGC BG5F9 B: B7 <9G	8F5K B	8BG	H#89.
		HC @9F5B7 9G	7 <97 298		
		: F57 HC B5 @z	9B: 5DDF*		Hk J \$% \$ \$
		5B: 1 45F. A 57 <± 6988 ±	A:: 5DDF*		
		HK C: D45 7 9897 A 5@ ±	E 5"		
		HK F99D45 7 9897 A 5@ ±	7 C A A 9BHG		
		B19F DF9H: 9C A 9F 7			G49 8K: "BC"
		HC @9F5B7 B: D9F			F9J
		A 519F 5@			%
B9LH5GM	I 98B CB	: B G:			G7 5@. %) \$K 9± <H'
5DD@7 5HC B	8C BCHG7 5@8F5K B:				G< 99H% C: %

(

'

&

%