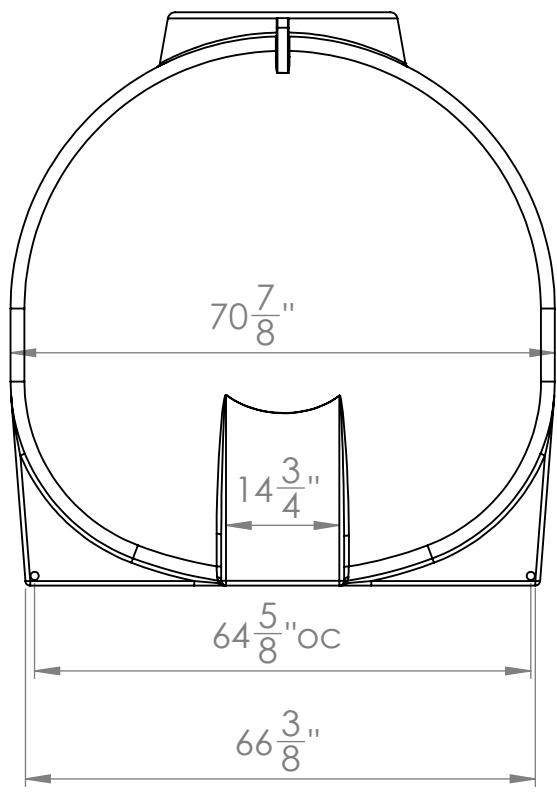


8 7 6 5 4 3 2 1

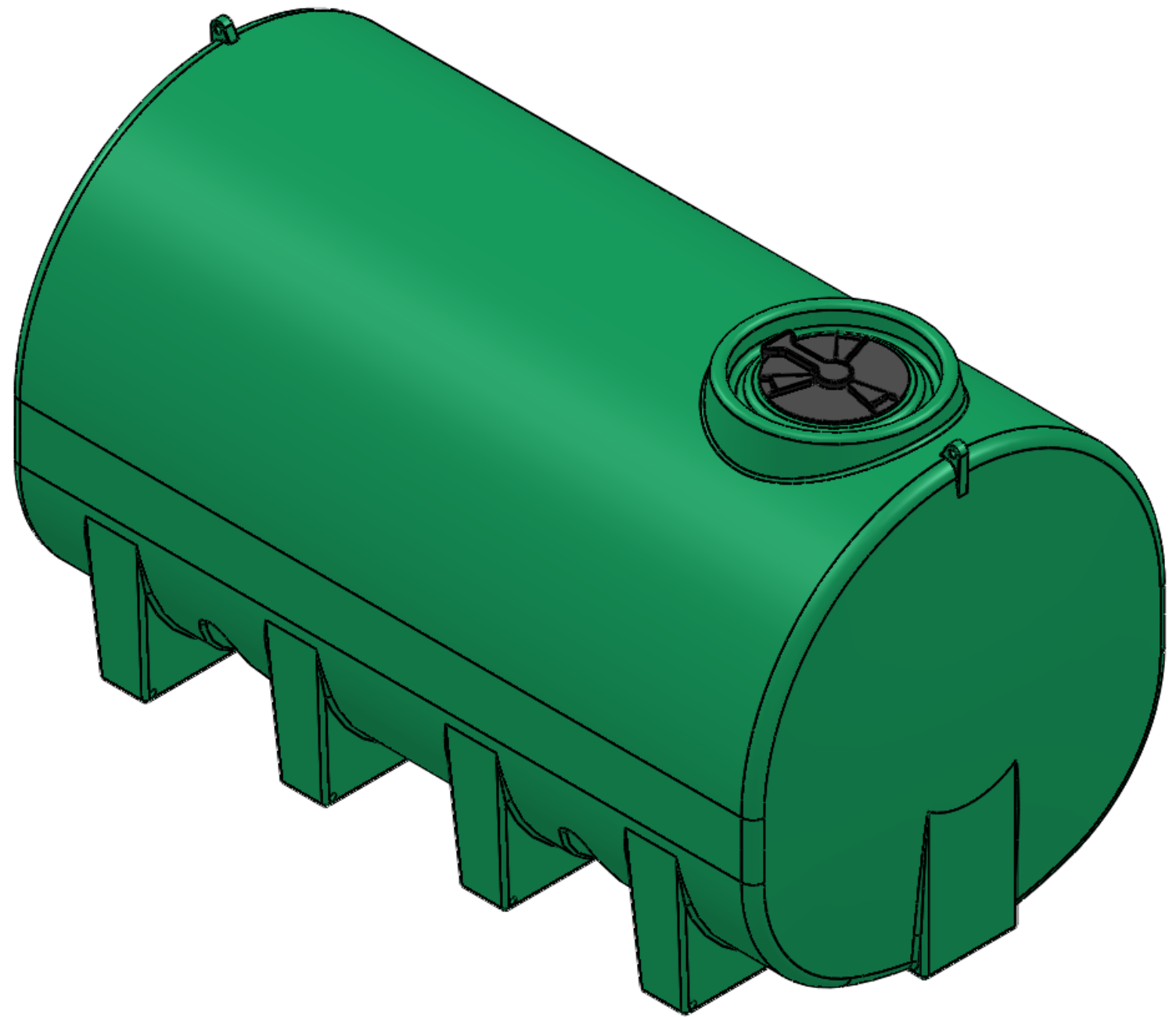
D



D

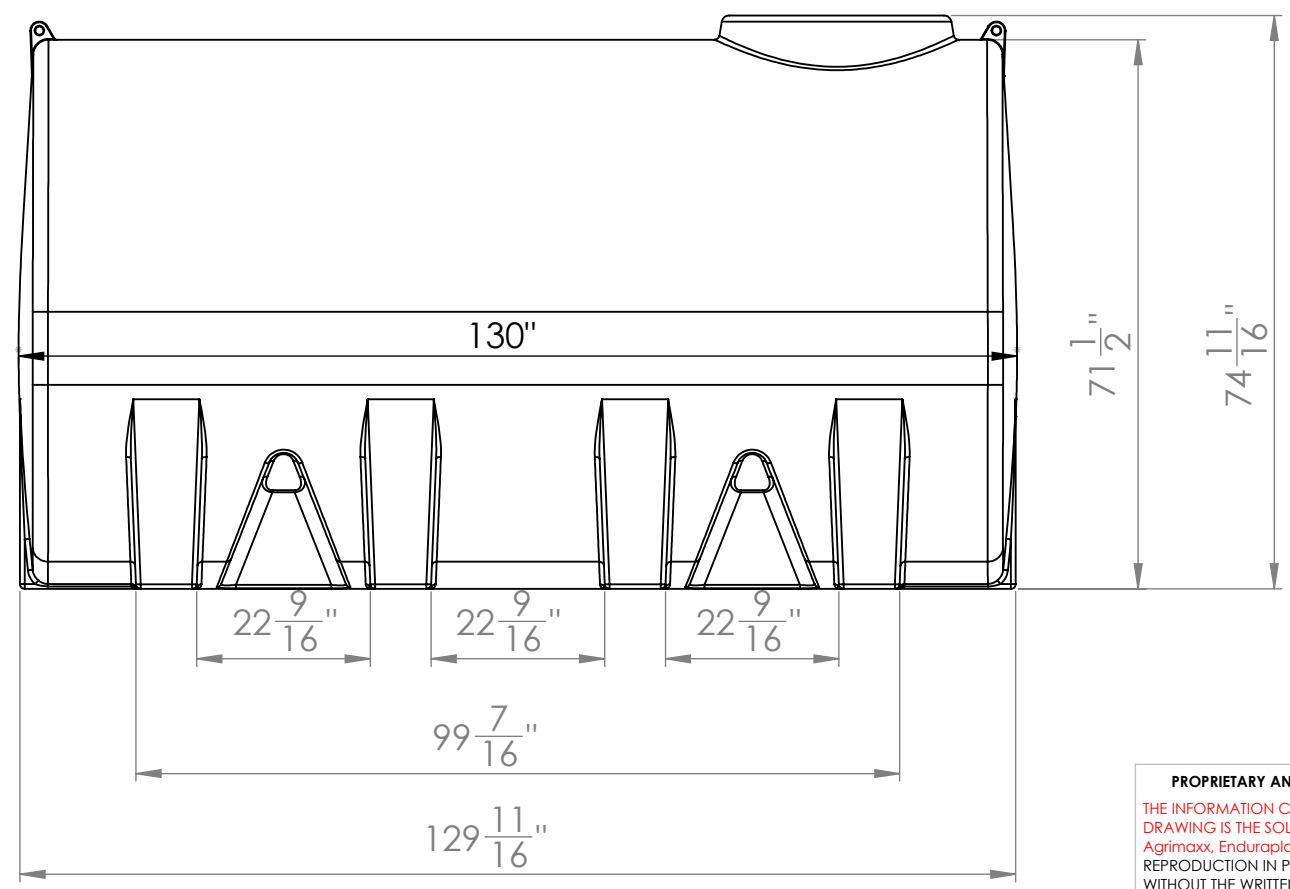
C

C



B

B



A

A

8 7 6 5 4 3 2 1

**PROPRIETARY AND CONFIDENTIAL**  
 THE INFORMATION CONTAINED IN THIS DRAWING IS THE SOLE PROPERTY OF Agrimaxx, Enduraplas. ANY REPRODUCTION IN PART OR AS A WHOLE WITHOUT THE WRITTEN PERMISSION OF Agrimaxx, Enduraplas, IS PROHIBITED.

		UNLESS OTHERWISE SPECIFIED:		NAME	DATE	<h2 style="text-align: center;">Enduraplas</h2> <h3 style="text-align: center;">ST2200FS</h3>			
		DIMENSIONS ARE IN INCHES		DRAWN	DNS			9/9/11	
		TOLERANCES:		CHECKED					
		FRACTIONAL ±		ENG APPR.					
		ANGULAR: MACH ± BEND ±		MFG APPR.					
		TWO PLACE DECIMAL ±		Q.A.					
		THREE PLACE DECIMAL ±		COMMENTS:					
		INTERPRET GEOMETRIC TOLERANCING PER:				SIZE	DWG. NO.	REV	
		MATERIAL				<b>B</b>		<b>1</b>	
NEXT ASSY	USED ON	FINISH				SCALE: 1:50		WEIGHT:	SHEET 1 OF 1
APPLICATION		DO NOT SCALE DRAWING							