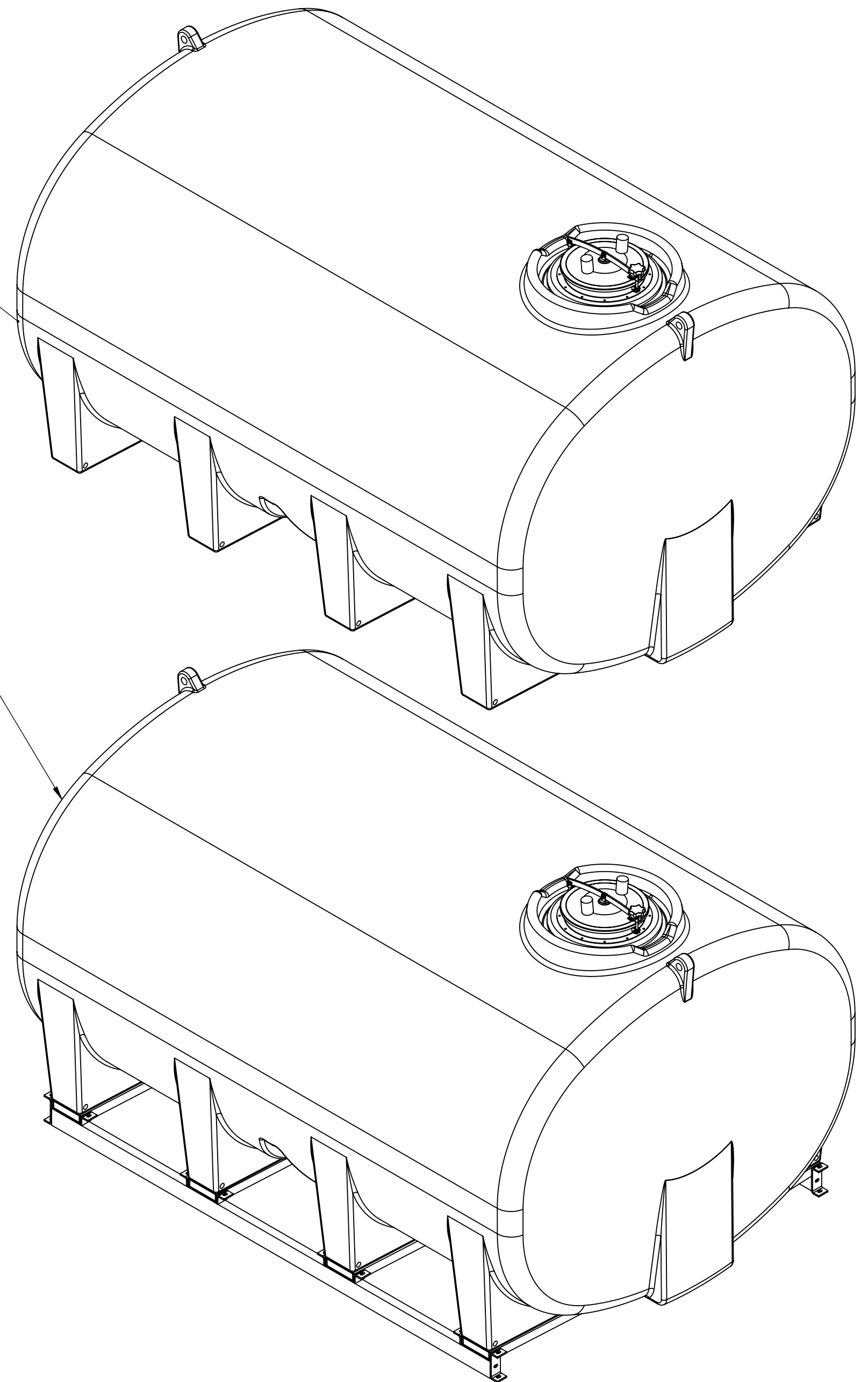


ST3200LP

ST3200LS



NOTE: ALLOW +/- 1.5% SHRINKAGE

PROPRIETARY AND CONFIDENTIAL
 THE INFORMATION CONTAINED IN THIS
 DRAWING IS THE SOLE PROPERTY OF
ENDURAPLAS LLC. ANY
 REPRODUCTION IN PART OR AS A WHOLE
 WITHOUT THE WRITTEN PERMISSION OF
ENDURAPLAS LLC IS PROHIBITED.

		UNLESS OTHERWISE SPECIFIED:	NAME	DATE	ENDURAPLAS LLC	
		DIMENSIONS ARE IN INCHES	DRAWN	DNS	5/14/13	TITLE:
		TOLERANCES:	CHECKED			ST3200LP
		FRACTIONAL ±	ENG APPR.			SIZE DWG. NO.
		ANGULAR: MATCH ±	MFG APPR.			C
		TWO PLACE DECIMAL ±	Q.A.			REV
		THREE PLACE DECIMAL ±	COMMENTS:			1
NEXT ASSY	USED ON	FINISH				
APPLICATION	DO NOT SCALE DRAWING		SCALE: 1:50 WEIGHT: SHEET 1 OF 1			