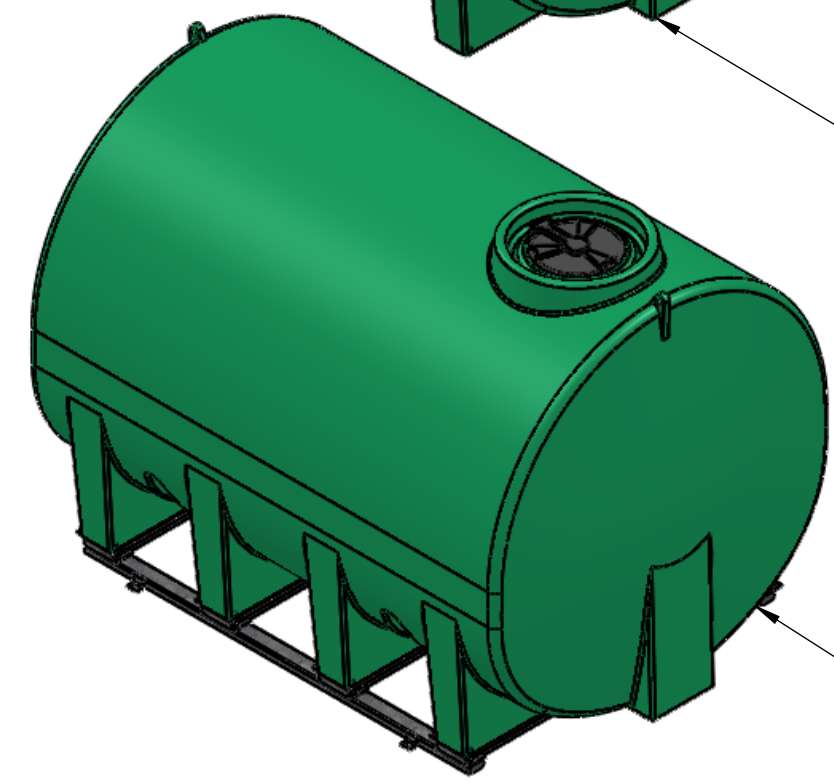
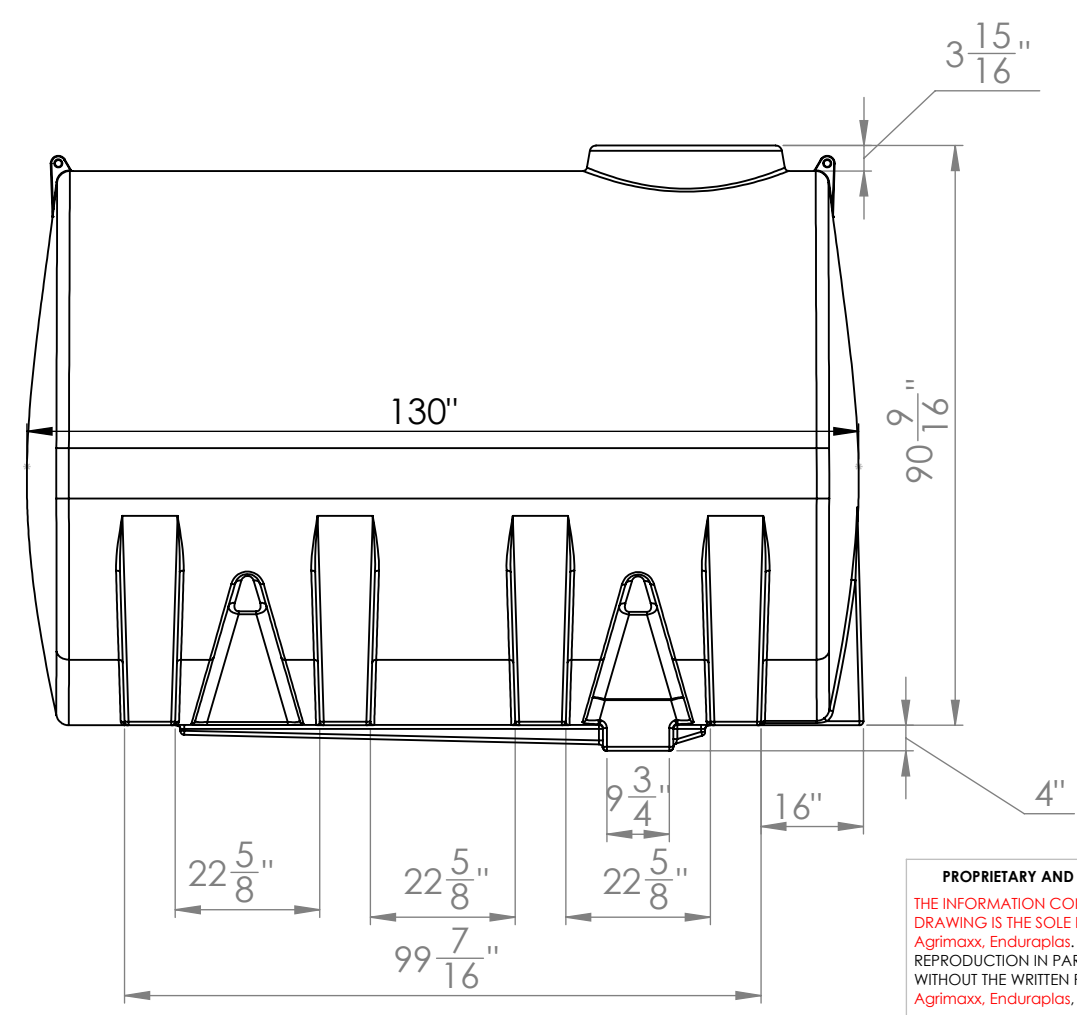


ST3000LP



ST3000LS



PROPRIETARY AND CONFIDENTIAL
 THE INFORMATION CONTAINED IN THIS DRAWING IS THE SOLE PROPERTY OF Agrimaxx, Enduraplas. ANY REPRODUCTION IN PART OR AS A WHOLE WITHOUT THE WRITTEN PERMISSION OF Agrimaxx, Enduraplas, IS PROHIBITED.

		UNLESS OTHERWISE SPECIFIED:		NAME	DATE	Enduraplas	
		DIMENSIONS ARE IN INCHES		DRAWN	DNS		
		TOLERANCES:		CHECKED			TITLE:
		FRACTIONAL ±		ENG APPR.			ST3000LP
		ANGULAR: MACH ± BEND ±		MFG APPR.			SIZE
		TWO PLACE DECIMAL ±		Q.A.			DWG. NO.
		THREE PLACE DECIMAL ±		COMMENTS:			REV
		INTERPRET GEOMETRIC TOLERANCING PER:					1
		MATERIAL					SCALE: 1:50
		FINISH					WEIGHT:
NEXT ASSY	USED ON	DO NOT SCALE DRAWING					SHEET 1 OF 1
APPLICATION							

8 7 6 5 4 3 2 1

D

D

C

C

B

B

A

A

8 7 6 5 4 3 2 1