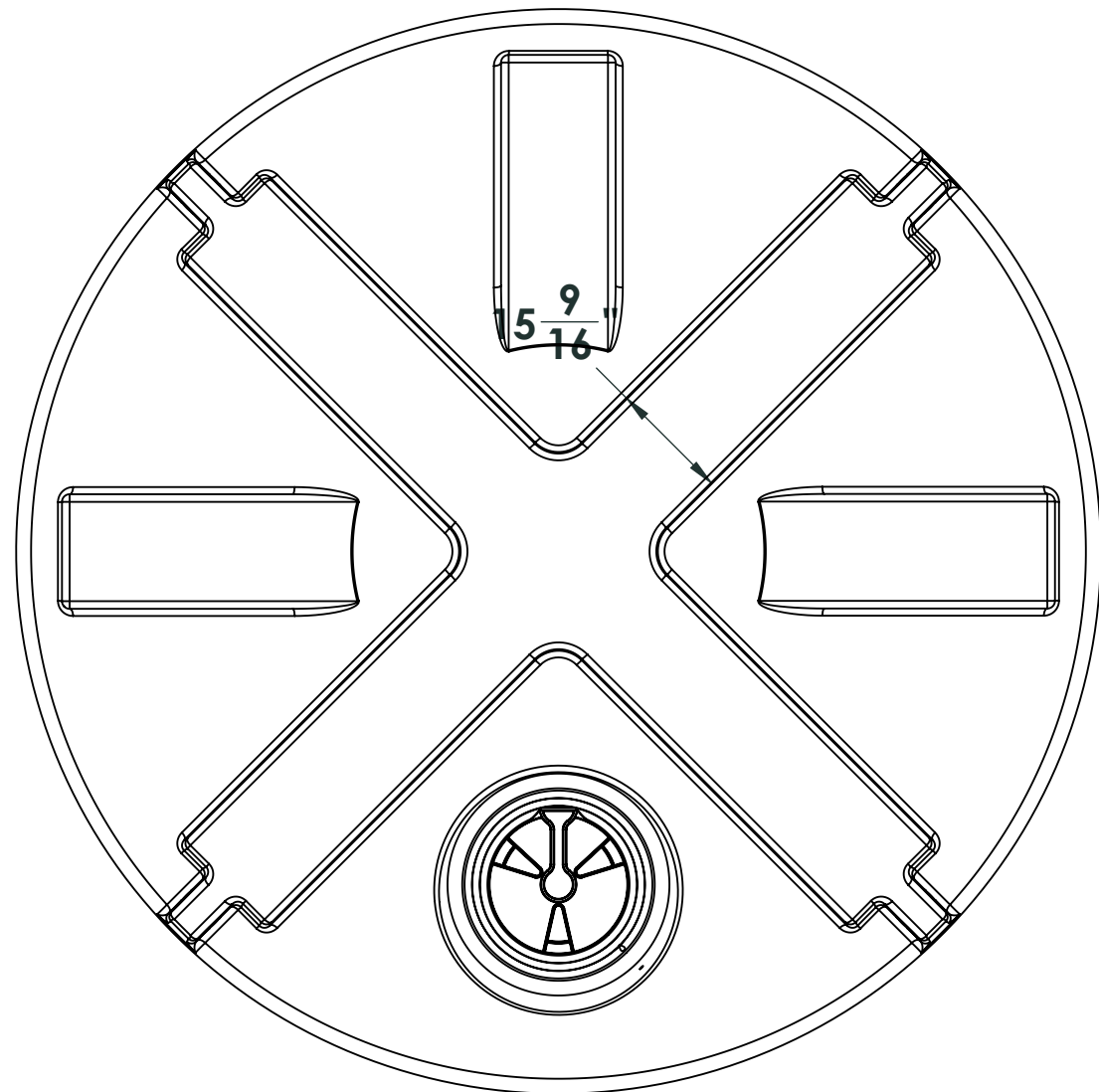


4

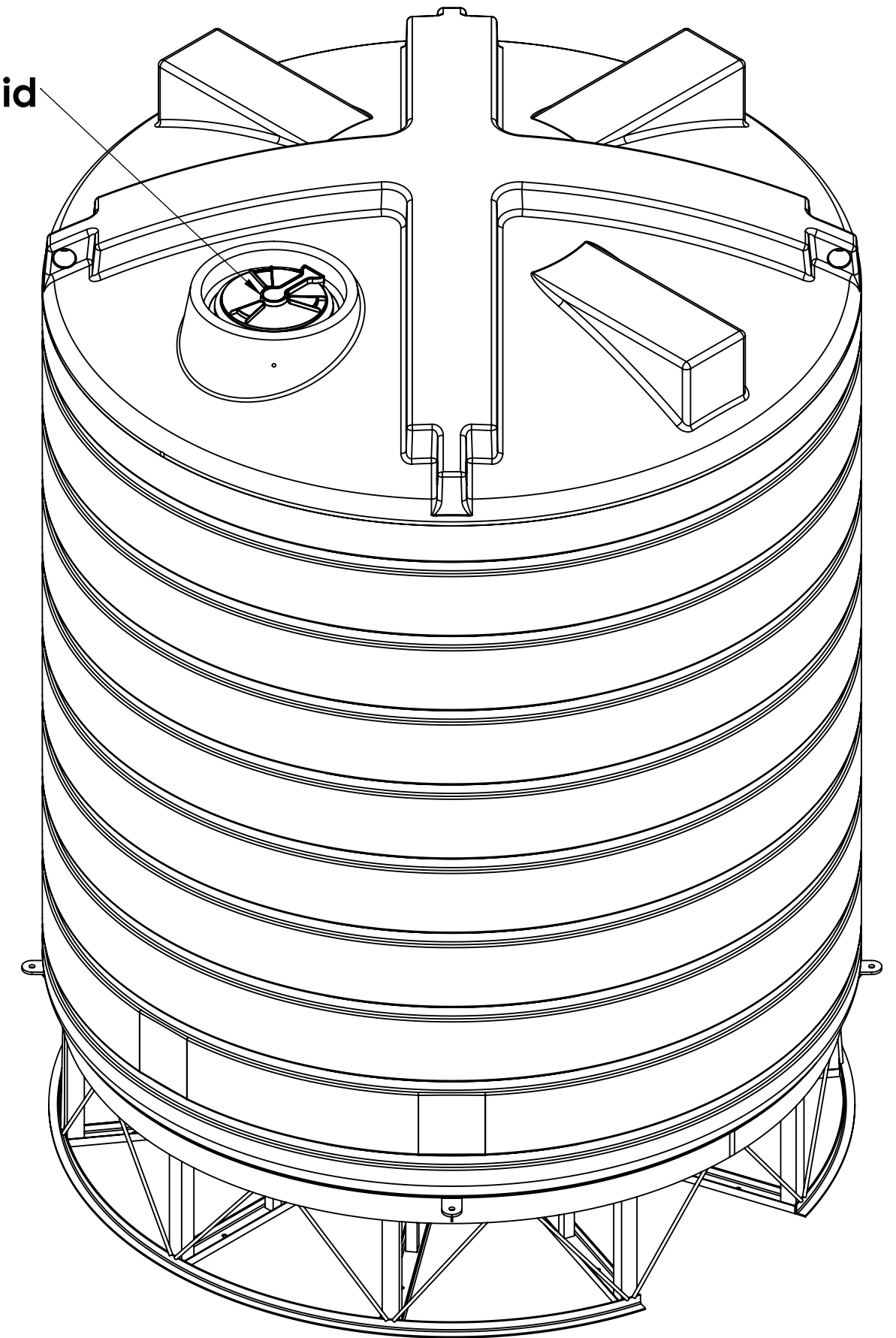
3

2

1



16 inch lid



Shown with AZFC06011 stand

D

D

C

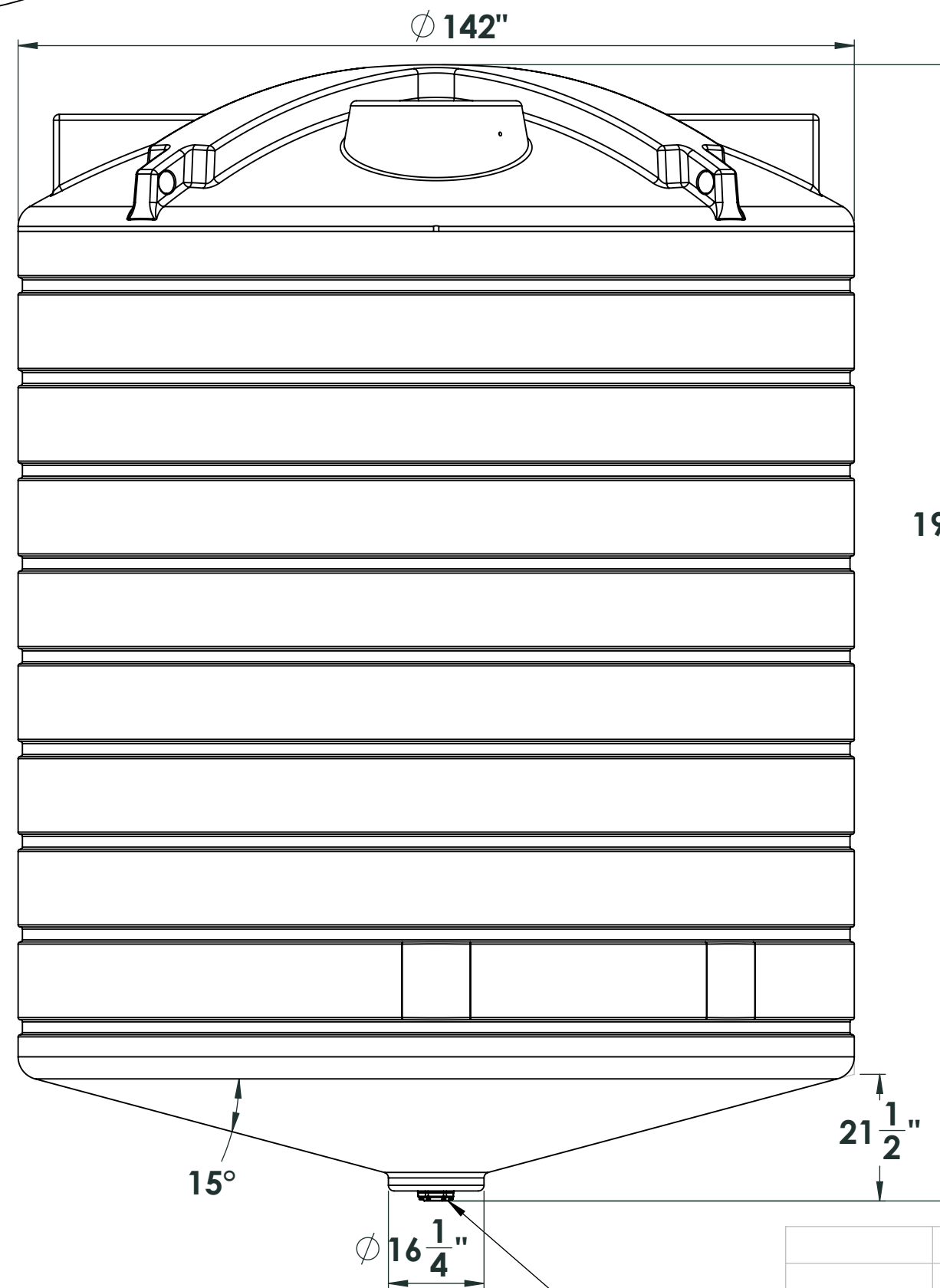
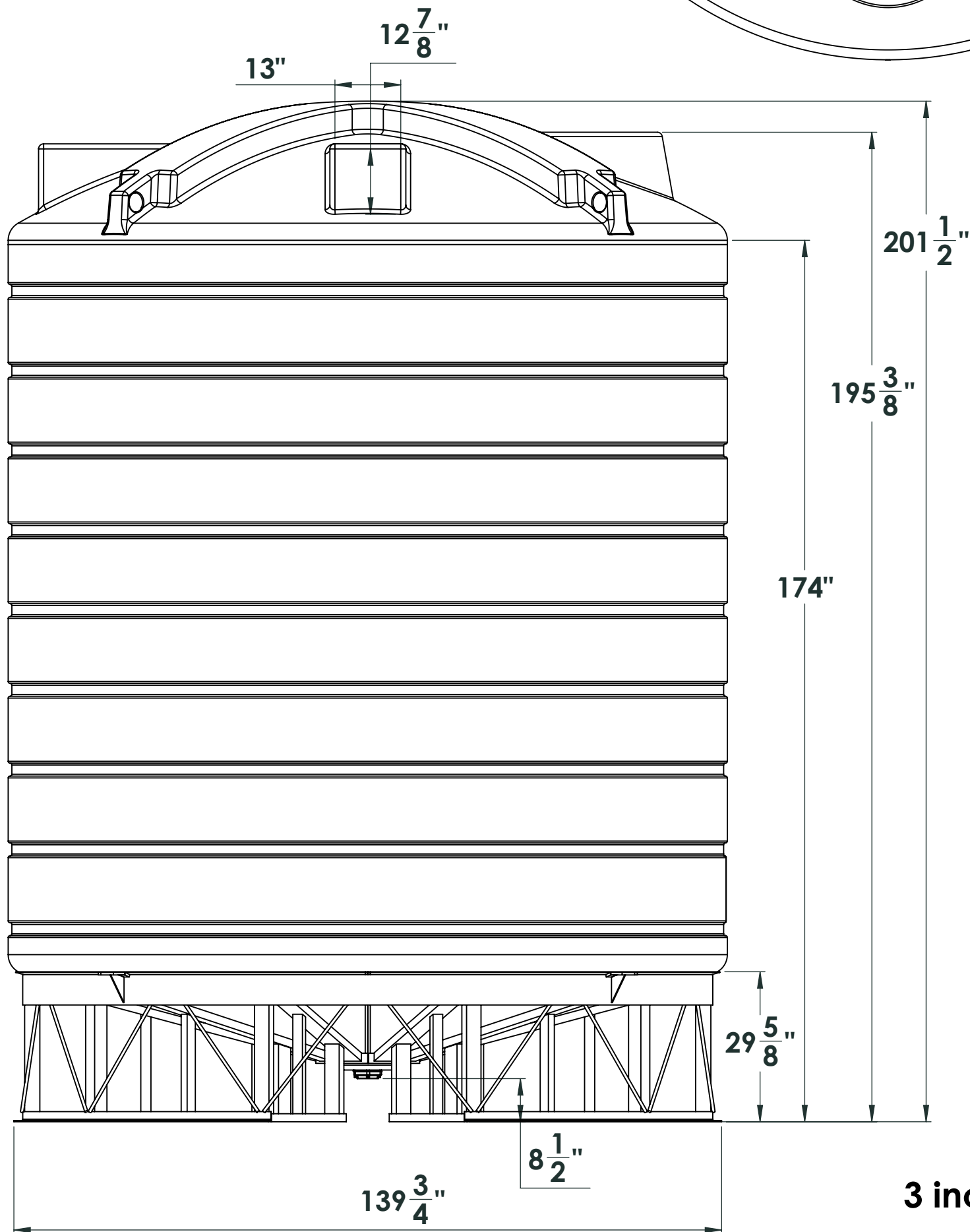
C

B

B

A

A



3 inch bolted - bottom drain fitting

NOTE: Allow +/- 1.5% Shrinkage

PROPRIETARY AND CONFIDENTIAL
 THE INFORMATION CONTAINED IN THIS DRAWING IS THE SOLE PROPERTY OF ENDURAPLAS LLC. ANY REPRODUCTION IN PART OR AS A WHOLE WITHOUT THE WRITTEN PERMISSION OF ENDURAPLAS LLC IS PROHIBITED.

UNLESS OTHERWISE SPECIFIED:		NAME	DATE	ENDURAPLAS LLC	
DIMENSIONS ARE IN INCHES		DRAWN	DNS	TITLE:	
TOLERANCES:		CHECKED		THC10000	
FRACTIONAL ±		ENG APPR.		SIZE	DWG. NO.
ANGULAR: MACH ±		MFG APPR.		C	
TWO PLACE DECIMAL ±		Q.A.		SCALE: 1:50	WEIGHT:
THREE PLACE DECIMAL ±		COMMENTS:			SHEET 1 OF 1
INTERPRET GEOMETRIC TOLERANCING PER:	MATERIAL			REV	1
FINISH	APPLICATION				
NEXT ASSY	USED ON				
DO NOT SCALE DRAWING					

4

3

2

1