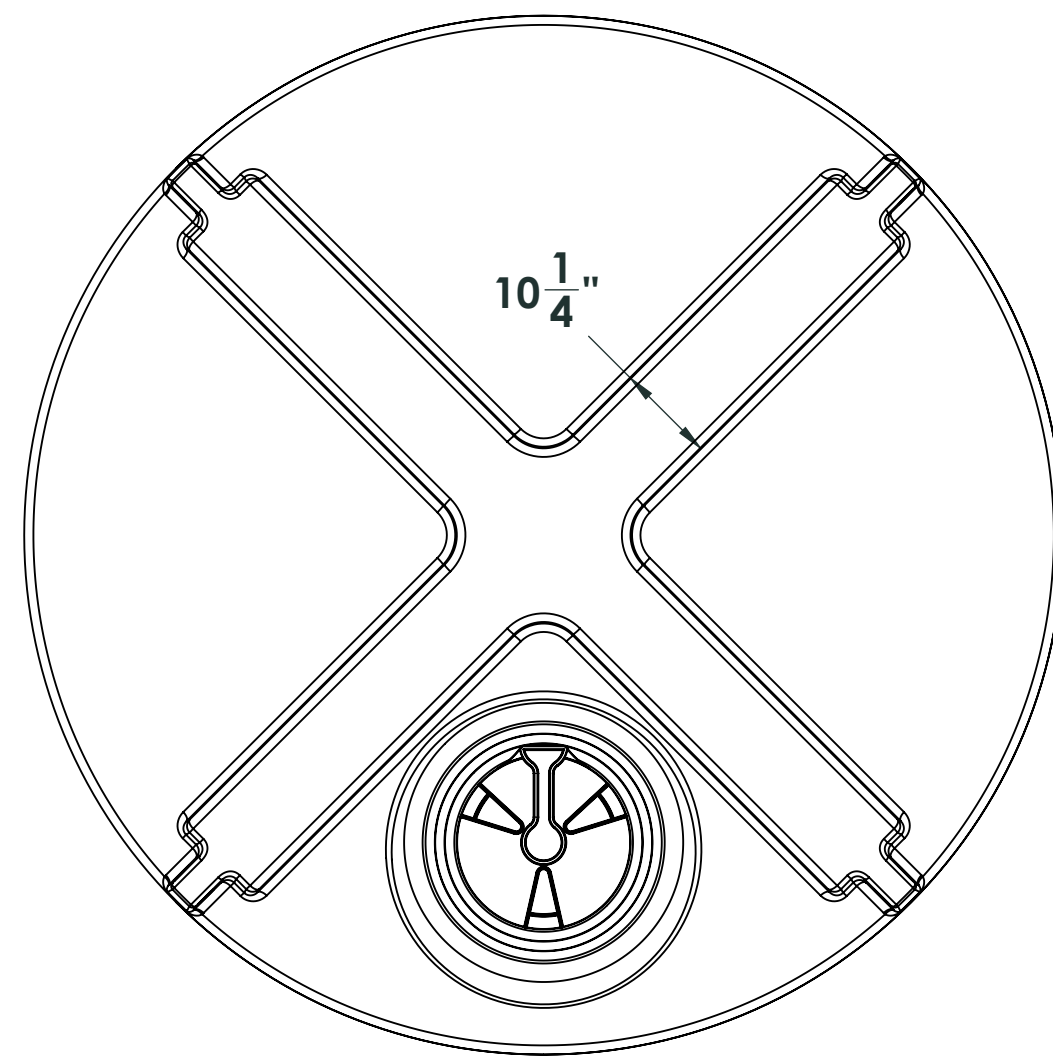


4

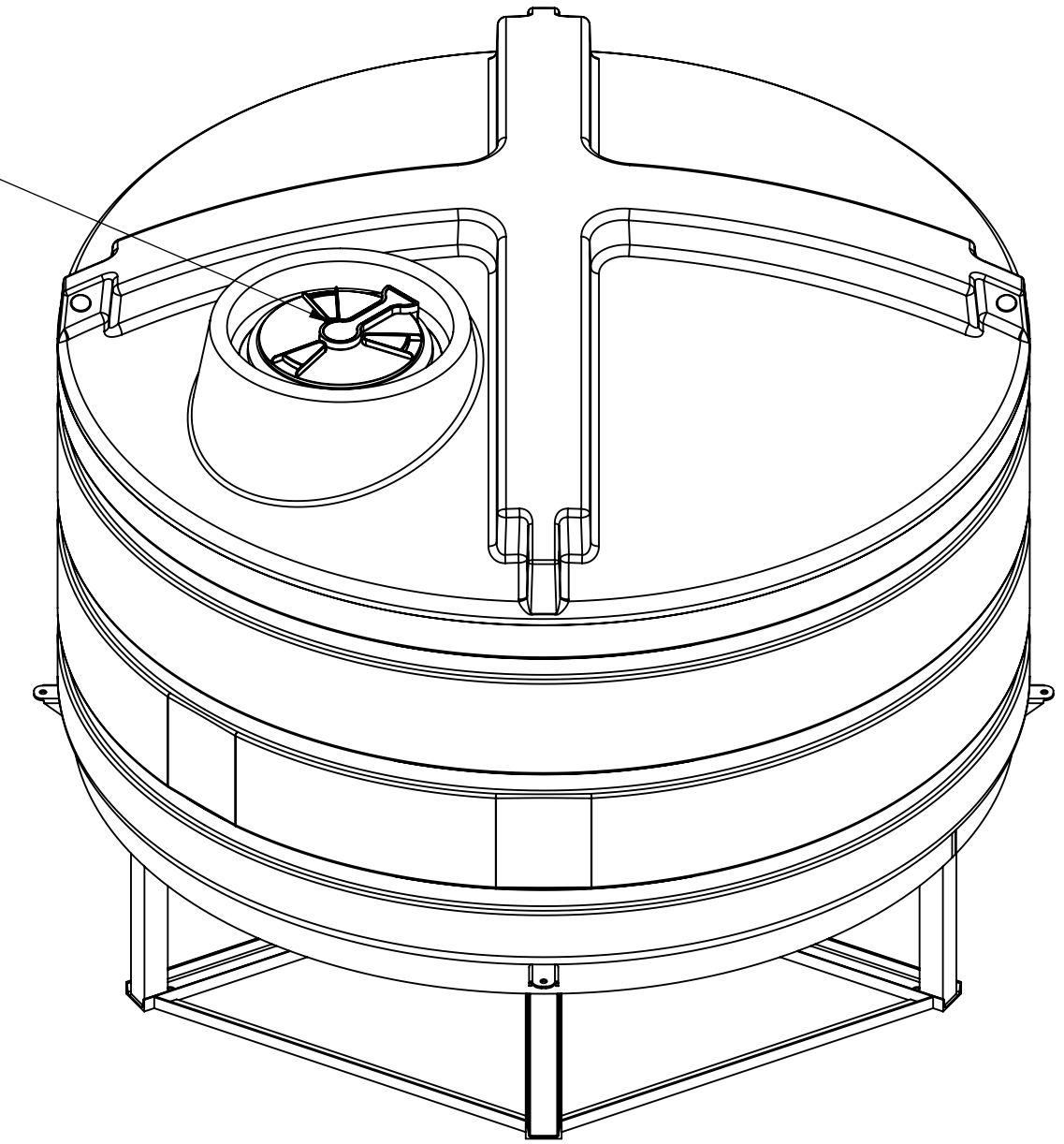
3

2

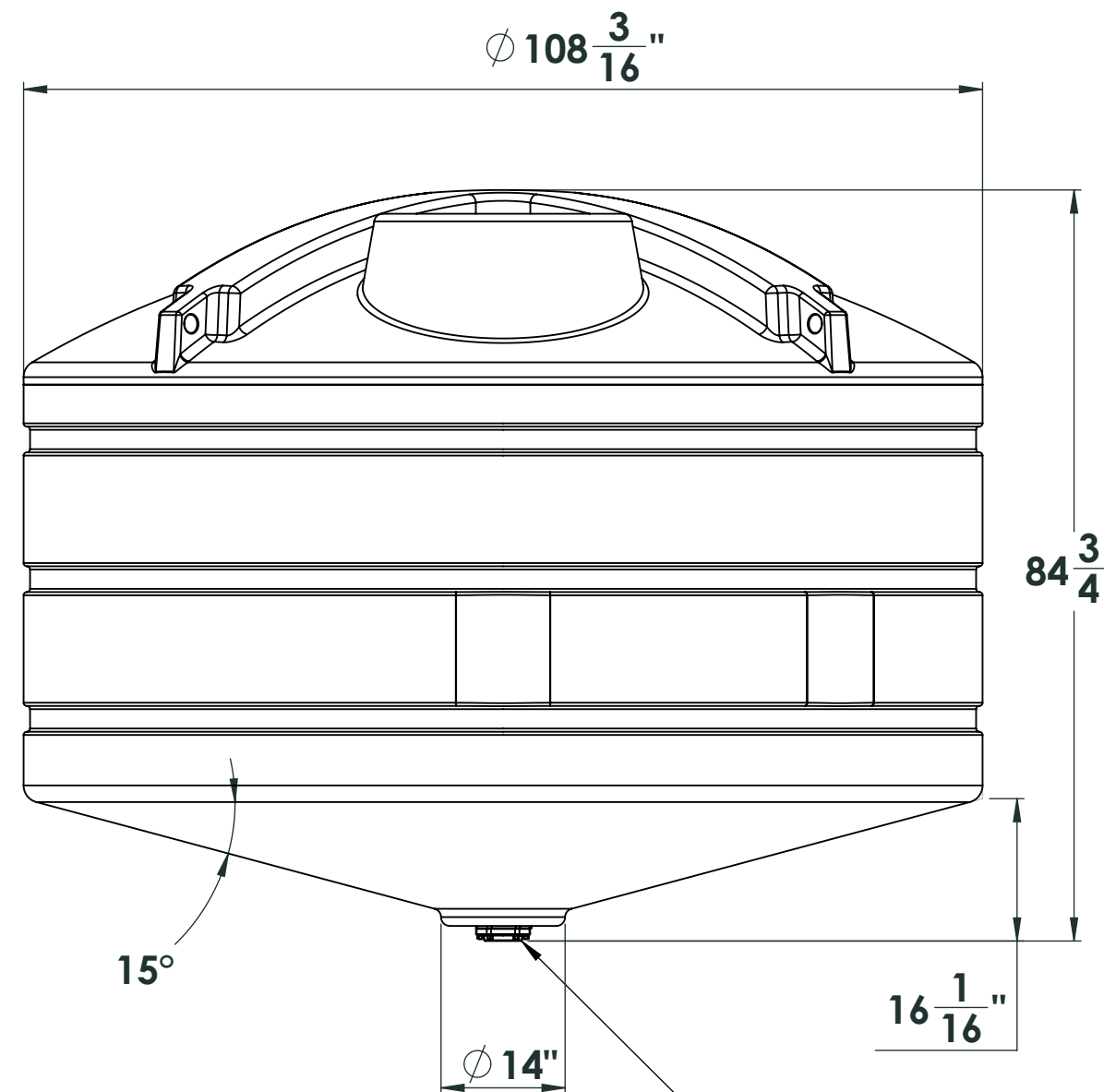
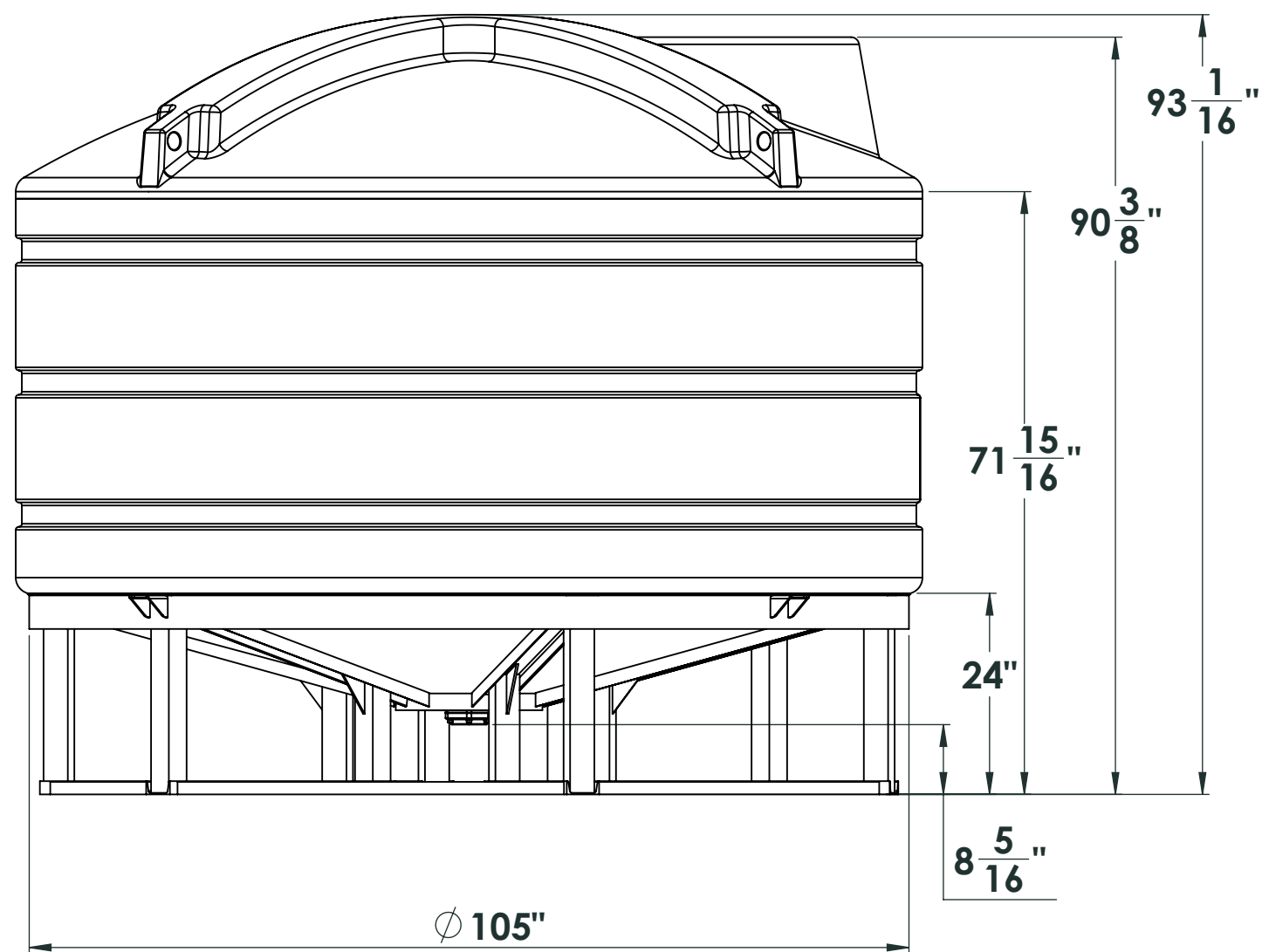
1



16 inch lid



Shown with AZFC02020 stand



3 inch bolted - bottom drain fitting

**NOTE: Allow +/- 1.5% Shrinkage**

**PROPRIETARY AND CONFIDENTIAL**  
 THE INFORMATION CONTAINED IN THIS DRAWING IS THE SOLE PROPERTY OF ENDURAPLAS LLC. ANY REPRODUCTION IN PART OR AS A WHOLE WITHOUT THE WRITTEN PERMISSION OF ENDURAPLAS LLC IS PROHIBITED.

UNLESS OTHERWISE SPECIFIED:		NAME	DATE	ENDURAPLAS LLC	
DIMENSIONS ARE IN INCHES		DRAWN	DNS	11/2/16	TITLE:
TOLERANCES:		CHECKED			<b>THC02020</b>
FRACTIONAL ±		ENG APPR.			
ANGULAR: MACH ± BEND ±		MFG APPR.			
TWO PLACE DECIMAL ±		Q.A.			SIZE DWG. NO.
THREE PLACE DECIMAL ±		COMMENTS:			<b>C</b>
INTERPRET GEOMETRIC TOLERANCING PER:					REV
MATERIAL					<b>1</b>
FINISH					SCALE: 1:50 WEIGHT:
NEXT ASSY	USED ON				SHEET 1 OF 1
APPLICATION		DO NOT SCALE DRAWING			

4

3

2

1

D

D

C

C

B

B

A

A