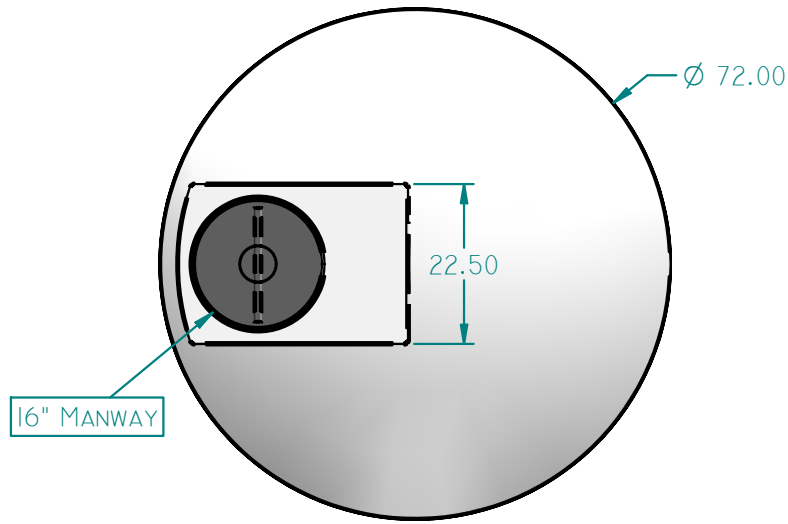


REVISION HISTORY

REV	DESCRIPTION	DATE	APPROVED

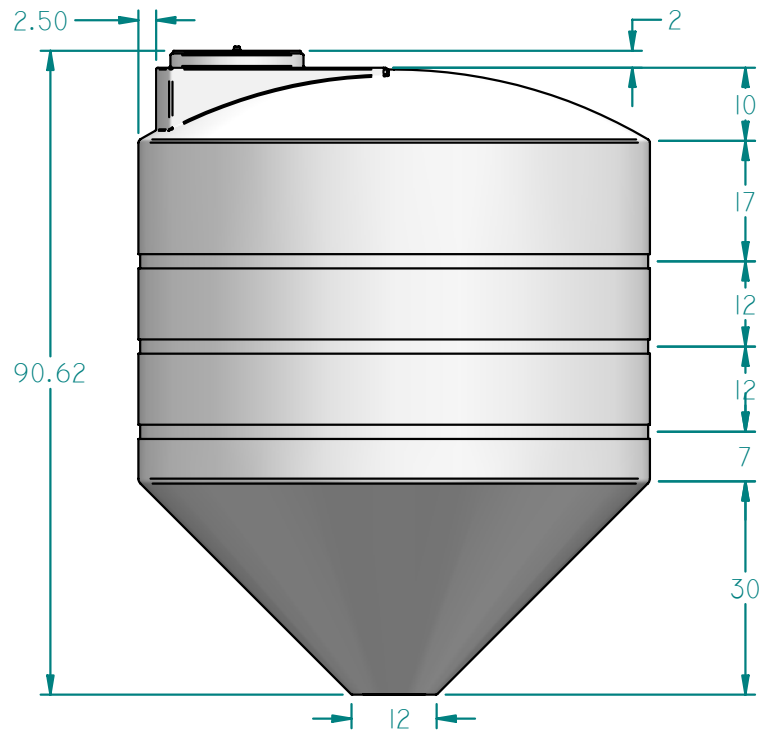


16" MANWAY

Ø 72.00

22.50

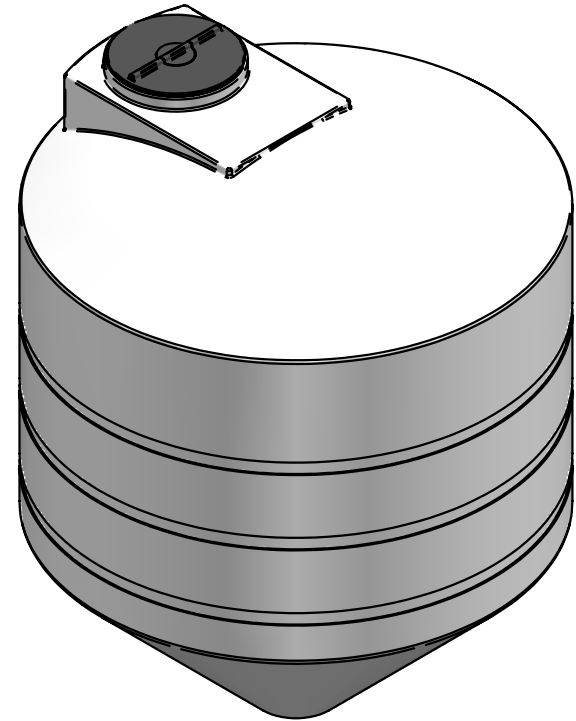
TOP VIEW




90.62

SIDE VIEW

WALL THICKNESS:



ISO VIEW

DRAWN		NAME	DATE	 16160 Hwy 27 Lake Wales, FL 33859
CHECKED				
ENG APPR				
MGR APPR				
TITLE				I100 GALLON CONE TANK 1.2 SPG
SIZE	A	MATERIAL: HDPE NATURAL		REV
				.250"
FILE NAME: C1100 TANK.DFT				
PART#: 931100		WEIGHT: 197.071 LB		SHEET 1 OF 1

UNLESS OTHERWISE SPECIFIED
 DIMENSIONS ARE IN INCHES
 ANGLES ±0.5°
 2 PL ±0.125" 3 PL ±0.060"