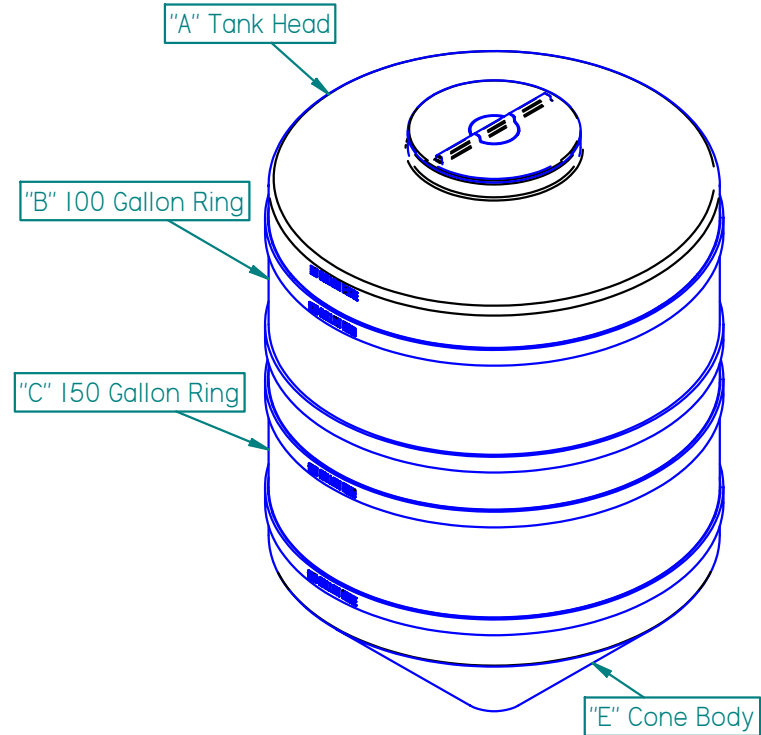


Front View

Tank Mold Assembly Requires "A" Tank Head, "B" 100 Gallon Ring, "C" 150 Gallon Ring, and "E" Tank Cone Sections.

REVISION HISTORY			
REV	DESCRIPTION	DATE	APPROVED
	APPROVED FOR PRODUCTION	10/1/2003	



ISO View

	NAME	DATE
DRAWN	Michael	8/29/2003
CHECKED		
ENG APPR		
MGR APPR		

UNLESS OTHERWISE SPECIFIED  
DIMENSIONS ARE IN INCHES  
ANGLES  $\pm 0.5^\circ$   
2 PL  $\pm 0.125"$  3 PL  $\pm 0.060"$

**DURA-CAST**  
PRODUCTS, INC. 800-683-4116

16160 Hwy 27 Lake Wales, FL 33859

TITLE		400 Gallon Cone Tank	
SIZE	MATERIAL:	LMDPE Natural	REV
A			
FILE NAME: 400GalConeAssy.dft			
PART#: 930401HD	WEIGHT: 118.590 lbm	SHEET 1 OF 1	