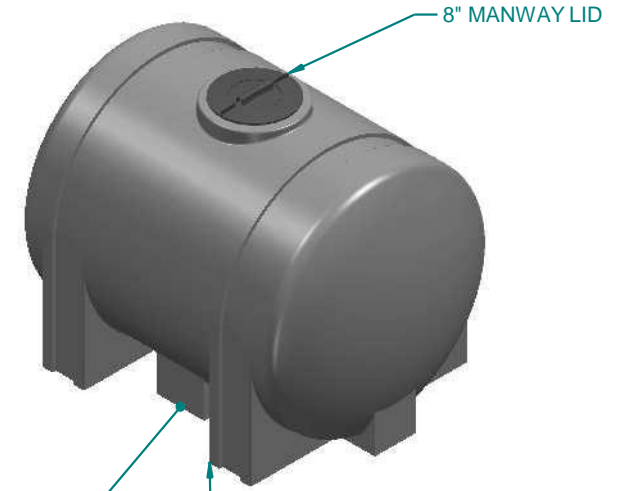
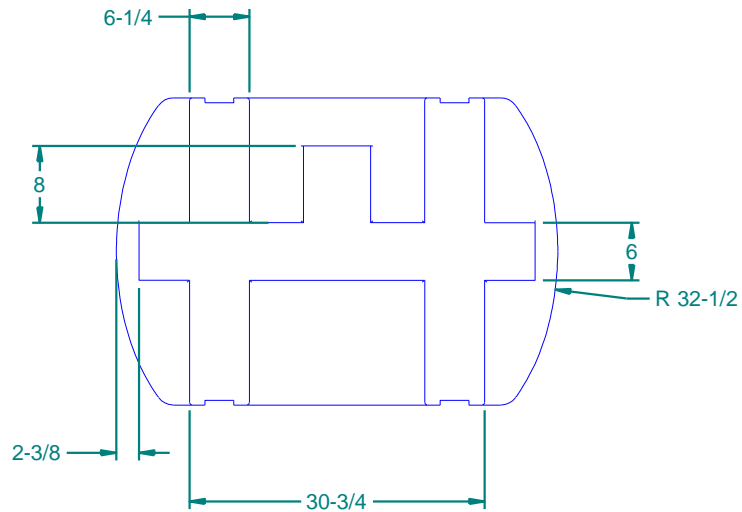
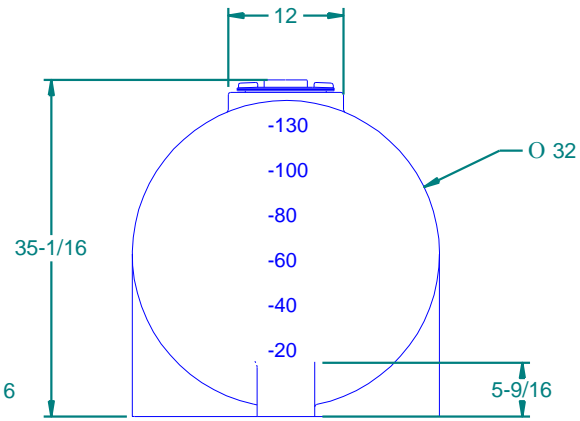
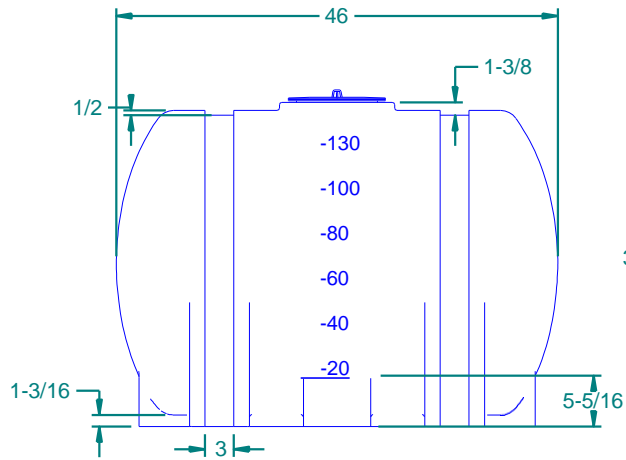


MAIN PRODUCT INFORMATION


REVISION HISTORY

REV	DESCRIPTION	DATE	APPROVED	Revised By
A	Initial Design Release	7/12/2016		



DRAINAGE FLAT AREA (BOTH SIDES)

TIE DOWN BAND RECESSES

Weight: 56 Lb.	NAME	DATE		
Wall Thickness: 0.312	Drawn By: pvilla	7/12/2016		
Customer Part No: 920126	Customer: APFR		16160 Hwy 27 Lake Wales, FL 33859	
Print Date: 9/20/2016	Copyright © 2015 Dura-Cast Products, Inc.		Customer: Dura-Cast Products INC.	
Comments: - UNLESS OTHERWISE SPECIFIED DIMENSIONS ARE IN INCHES - Std Radii 3/16"	UNLESS OTHERWISE SPECIFIED TOLERANCES ARE: DIMS > 10" ±1% DIMS < 10" ±0.100 WALL THICKNESS ±20% FLATNESS ±.030 in/in		Part Title: 125 Gal Leg Tank	
			File Name: 125 Gal Horizontal Leg Tank.dft	
			Size: A	Material: LMDPE
Part No: 920126	Do Not Scale	Sheet: 10F1		