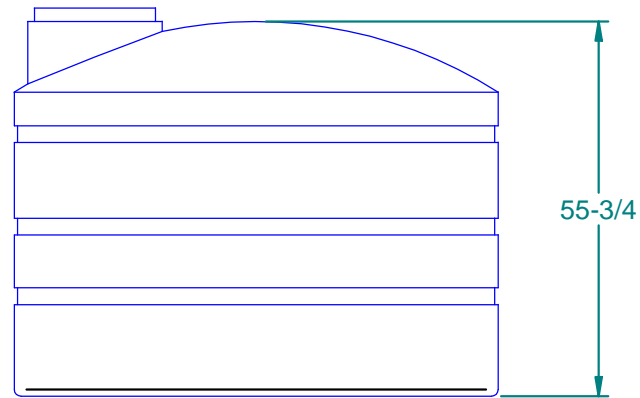
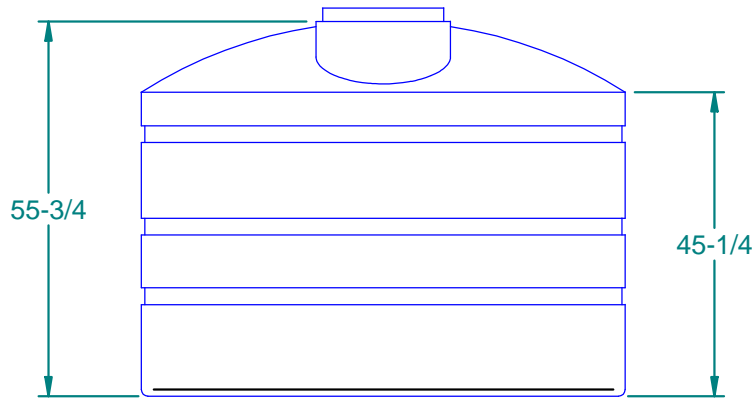
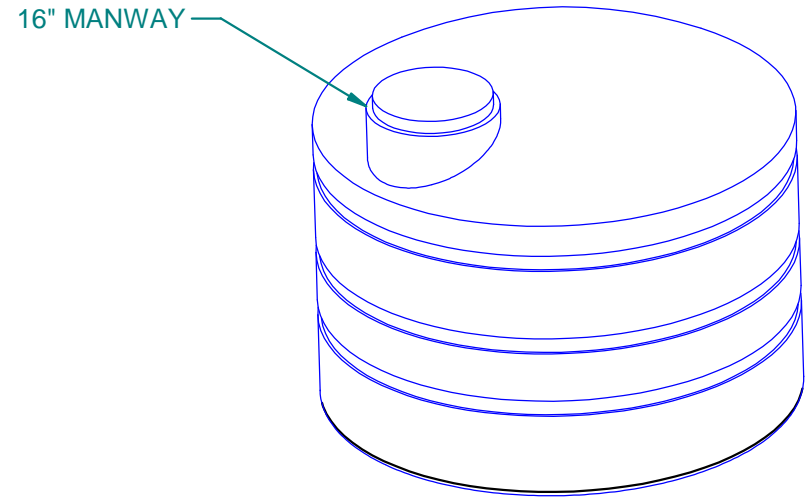
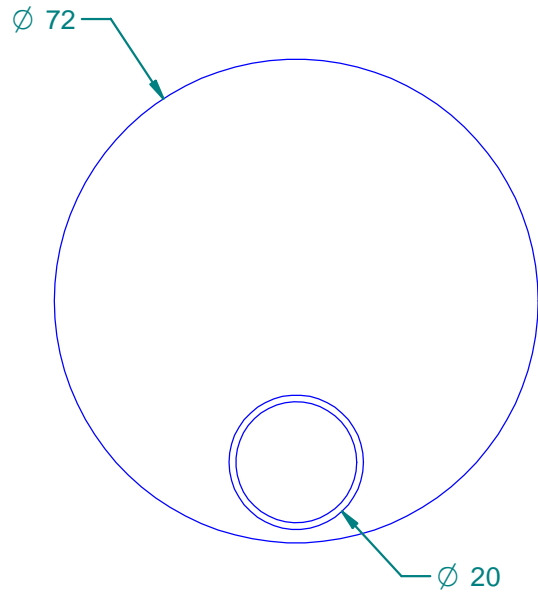



REVISION HISTORY

REV	DESCRIPTION	DATE	APPROVED	Revised By
A	Initial Design Release	5/8/2006		



Weight: N/A		NAME	DATE	 <p>Dura-Cast Products INC. <i>Rotomolding Plastic for the Future</i></p> <p>16160 Hwy 27 Lake Wales, FL. 33859</p>
Wall Thickness: N/A	DRAWN By:	mnegron	5/8/2006	
Customer Part No: N/A	Customer APPR			
Print Date: 9/18/2007	MFG APPR			
Comments:	Tolerance: UNLESS OTHERWISE SPECIFIED DIMENSIONS ARE IN INCHES $\pm 1\%$ Std Radii 3/16"		File Name: V900 (910900).dft	Customer: Dura-Cast Products, Inc.
	Size: A	Material: Polyethylene, LMDPE 8460	Rev: A	Part Title: E-900 Gallon Vertical Tank
	Part No: 910900	Do Not Scale	Sheet: 1 OF 1	