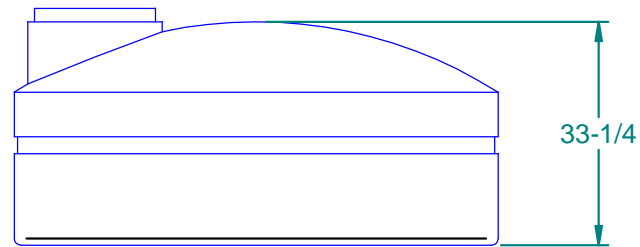
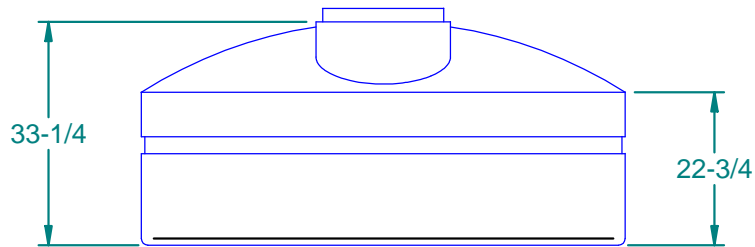
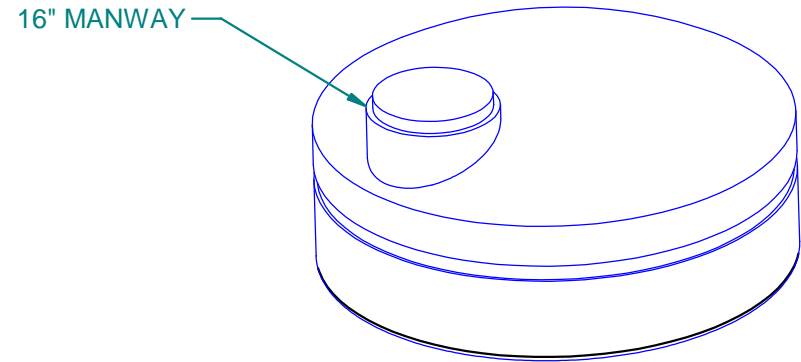
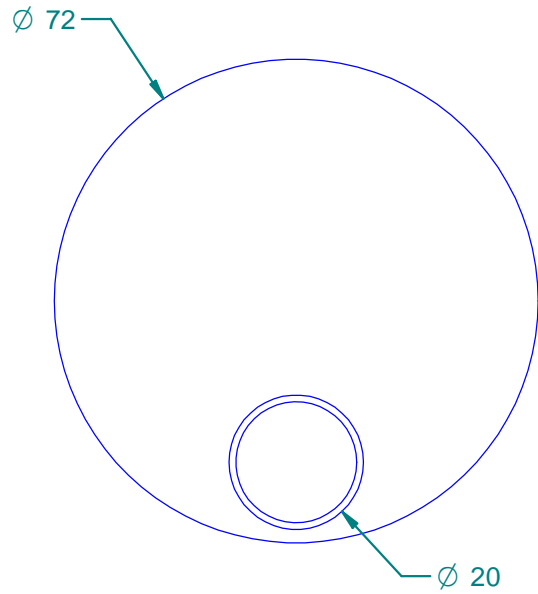



REVISION HISTORY

REV	DESCRIPTION	DATE	APPROVED	Revised By
A	Initial Design Release	5/8/2006		



Weight: N/A		NAME	DATE	 16160 Hwy 27 Lake Wales, FL. 33859 Customer: Dura-Cast Products, Inc. Part Title: E-500 Gallon Vertical Tank File Name: V500 (910500).dft	
Wall Thickness: N/A	DRAWN By:	McConomy	5/8/2006		
Customer Part No: N/A	Customer APPR				
Print Date: 9/18/2007	MFG APPR				
Comments:	Tolerance: UNLESS OTHERWISE SPECIFIED DIMENSIONS ARE IN INCHES ±1% Std Radii 3/16"		Size: A		Material: Polyethylene, LMDPE 8460
			Part No: 910500	Do Not Scale	Sheet: 1 OF 1