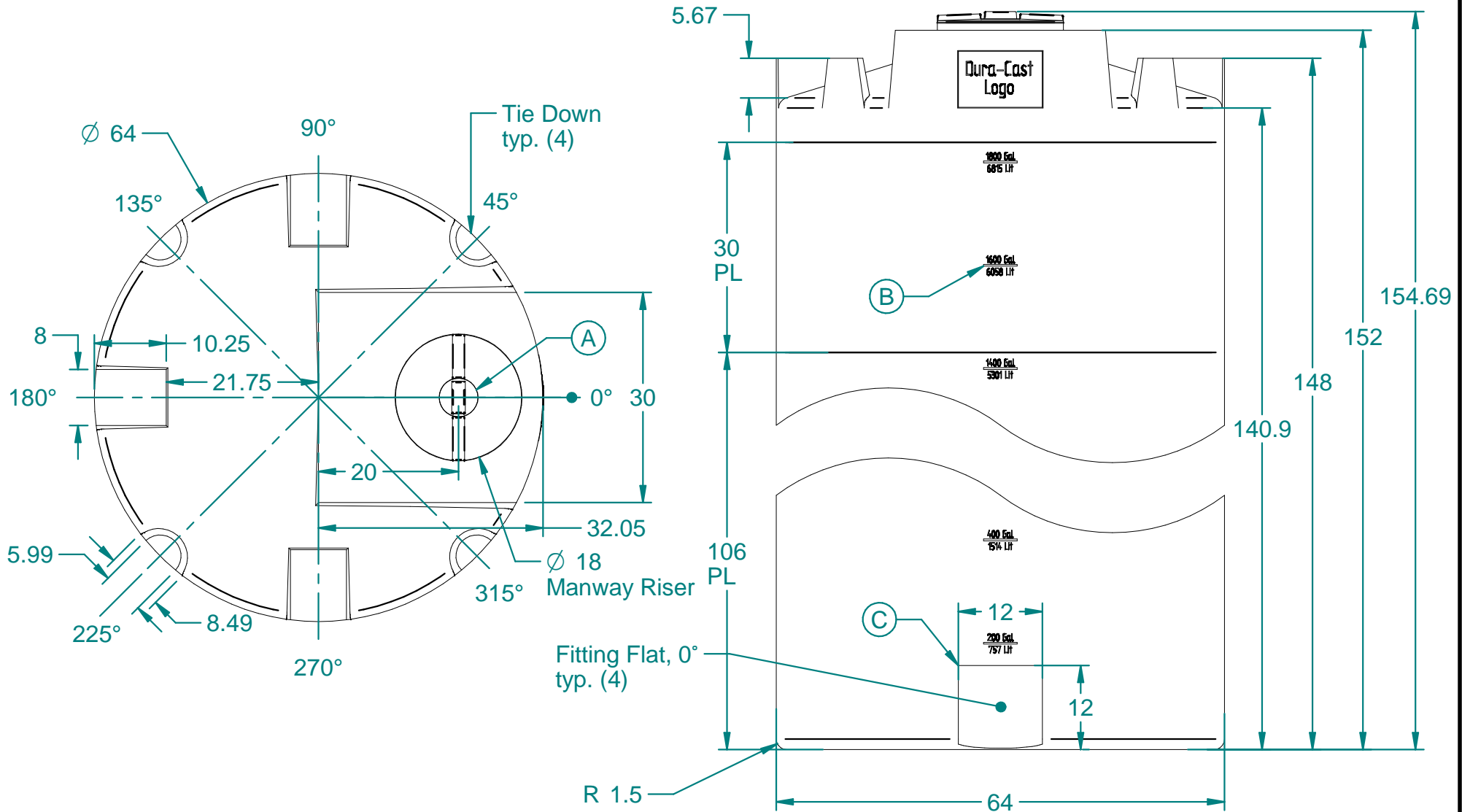



1900 Gallon Vertical Tank



- A. 18" HDPE THREADED - VENTED MANWAY W/ 16" ACCESS, BLACK, W/ SS SCREWS (P/N 751016)
- B. TANK CALIBRATION AT 0° IN 200 GALLON AND 757 LITER INCREMENTS
- C. TANK FITTINGS TO BE INSTALLED AT TIME OF SHIPMENT AS PER DURA-CAST PROCEDURES

Weight: Dependent on specific gravity rating		NAME	DATE	 16160 Hwy 27 Lake Wales, FL. 33859
Wall Thickness: Dependent on specific gravity rating	Drawn By:	S. Arant	7/16/2012	
Customer Part No: N/A	Customer APPR			Customer: Dura-Cast Products, Inc.
Print Date: 8/28/2012	COPYRIGHT © 2012 DURA-CAST PRODUCTS, INC.			Part Title: 1900 Gallon Vertical Tank
Comments: - UNLESS OTHERWISE SPECIFIED DIMENSIONS ARE IN INCHES - Std Radii 3/16"	UNLESS OTHERWISE SPECIFIED TOLERANCES ARE DIMS > 10" ±1% DIMS < 10" ±0.100 WALL THICKNESS ± 20% FLATNESS ± .030 in/in			File Name: 901900 1900 Gallon Vertical Tank.dft
	Size: A	Material: HDPE 942		Rev:
	Part No: 901900	Do Not Scale	Sheet: 1 OF 1	