

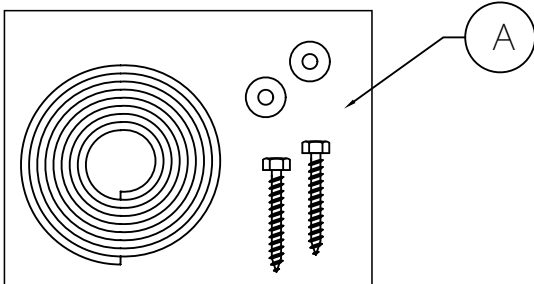
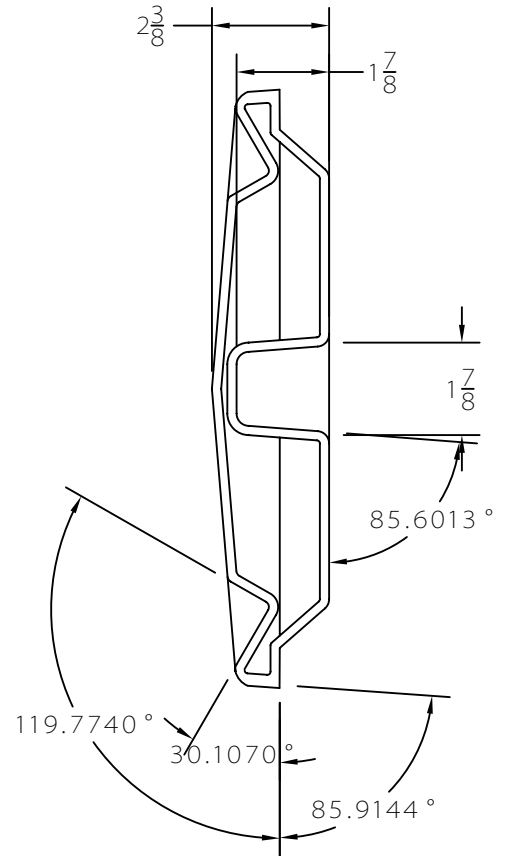
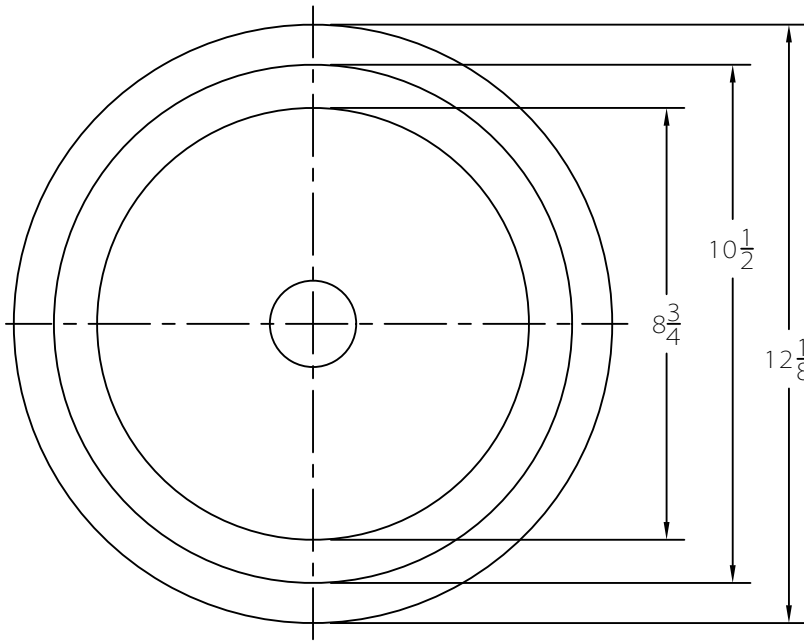
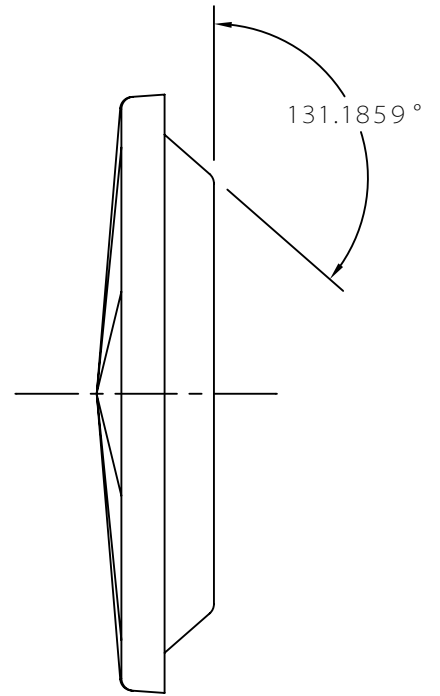
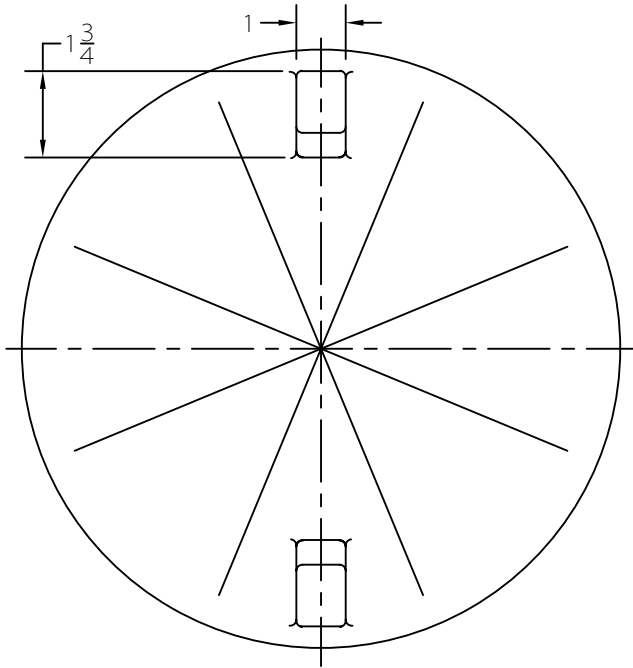
AK PART #: AKS10000

Description: 10" LID

Revision #: 002

Date: 07/22/16

THIS DRAWING IS THE SOLE PROPERTY OF AK INDUSTRIES INC.



B.O.M			
ITEM#	AKR#	DESCRIPTION	QTY
A	AKS10010	GASKET PACK / 10" LID	1

Notes:

Approved by:

Material: Polyethylene

Scale: NTS

Tolerances are +/- 0.250 Unless Specified Otherwise

DRAWN BY: A.DAVIS